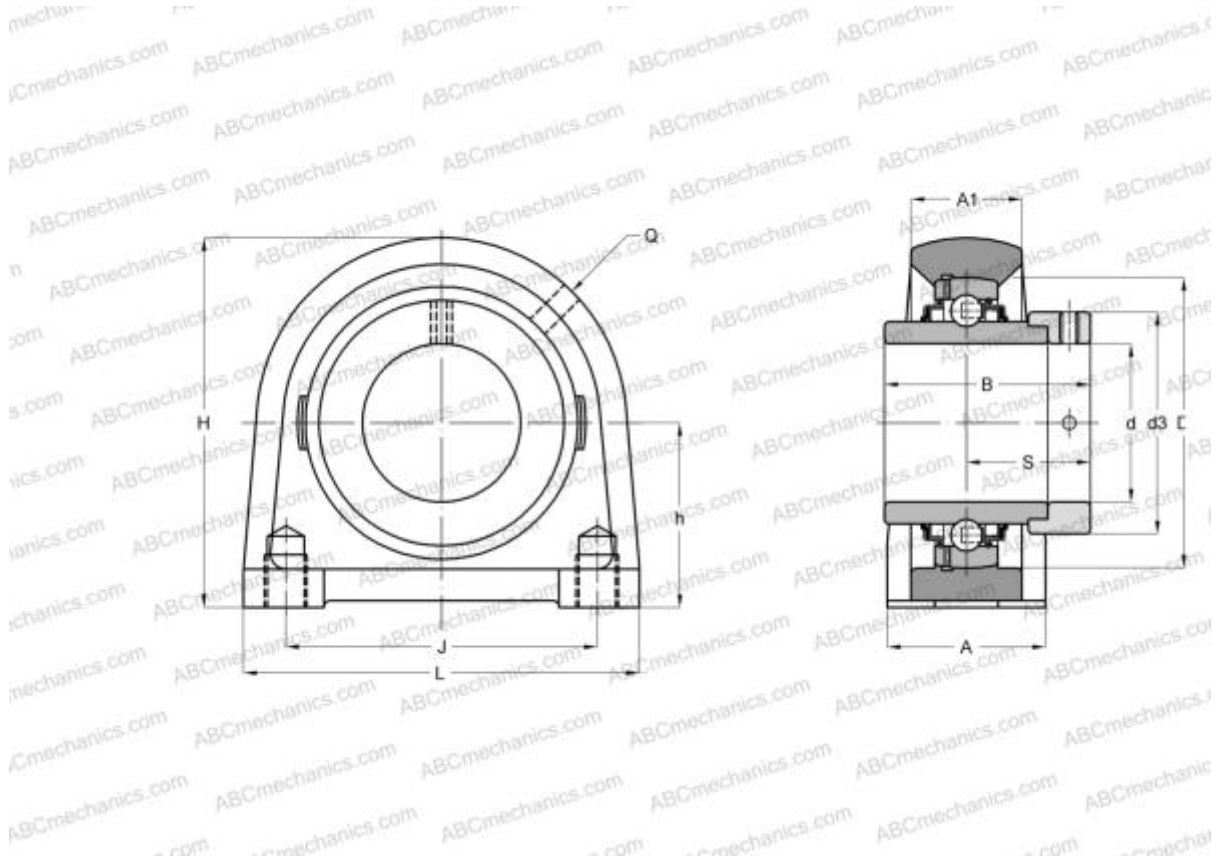


EXPA202 SNR

Ball bearing units

TYPE: Housing units, Plummer block, Narrow cast iron housing, Radial insert ball bearing with eccentric locking collar, With inner ring extended on both sides, massive bearing units



Technical specification

DIMENSIONS, MM

d	15,000
D	47,000
B	43,500
L	76,000
H	62,000
A	40,000
J	52,000
A1	22,000
H1	11,000
S	26,500
d3	33,300
h	30,200
Q	M6x1

Bearing	EX202
Housing	PA204

MANUFACTURER

[SNR](#)

INTERCHANGE

ABC	EXPA202
-----	-------------------------

CALCULATION DATA

Basic dynamic load rating, C	12,800 kN
Basic static load rating, Co	6,650 kN
Operating temperature min	-20 °C
Operating temperature max	110 °C

WEIGHT, KG	0,600
-------------------	-------