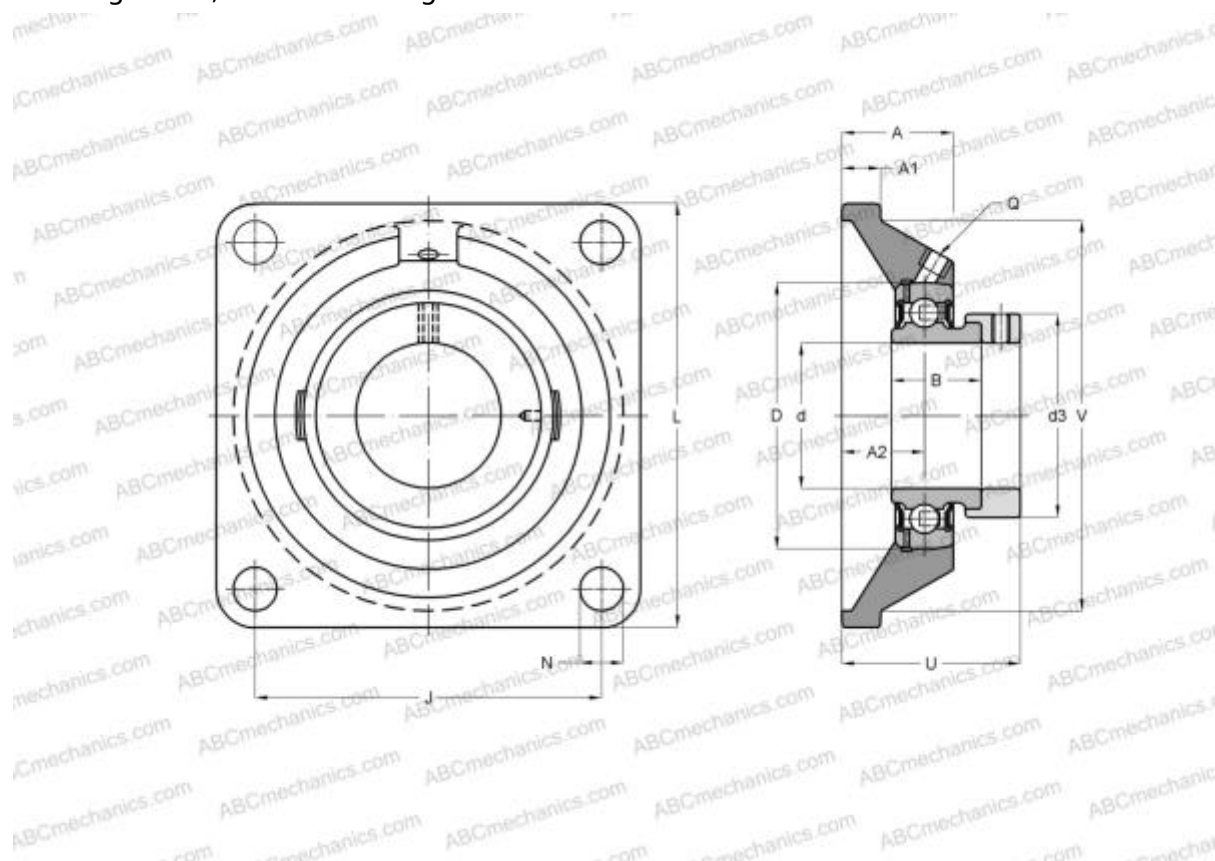


ESF201 ABC

Ball bearing units

TYPE: Housing units, Four-bolt flanged housing units, Cast iron housing, Radial insert ball bearing with eccentric locking collar, With inner ring extended at one side



Technical specification

DIMENSIONS, MM

d	12,000
D	40,000
B	28,600
L	76,000
A	25,500
J	54,000
A1	11,000
A2	15,000
N	12,000
d3	28,600
U	37,100
Q	M6x1

WEIGHT, KG 0,500

Bearing	ES201
Housing	F203

MANUFACTURER [ABC](#)

INTERCHANGE	
SNR	ESF201