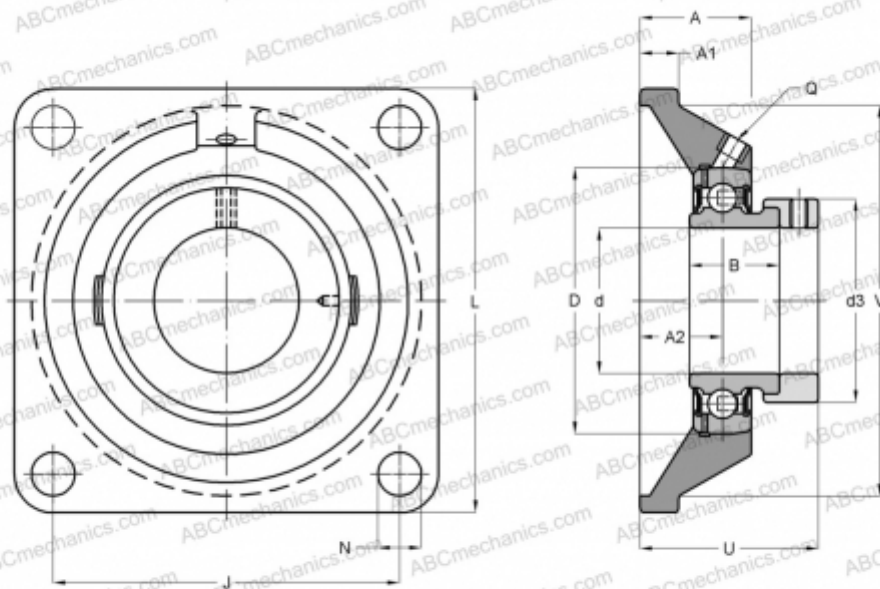


FY 17 FM SKF

Ball bearing units

TYPE: Housing units, Four-bolt flanged housing units, Cast iron housing, Radial insert ball bearing with eccentric locking collar, With inner ring extended at one side, wide base, massive bearing units



Technical specification

DIMENSIONS, MM

d	17,000
D	40,000
B	28,600
L	76,000
A	26,000
J	54,000
A1	11,000
A2	17,000
N	11,500
d3	27,200
U	39,100
V	55,600

WEIGHT, KG 0,480

Bearing	YET 203
Housing	FY 503 M

MANUFACTURER

[SKF](#)

INTERCHANGE

ABC	ESFE203
INA	PCJ17
SNR	ESFE203

CALCULATION DATA

Basic dynamic load rating, C	9,560 kN
Basic static load rating, Co	4,750 kN
Fatigue load limit, Pu	0,200 kN
Limiting speed	9500 r/min