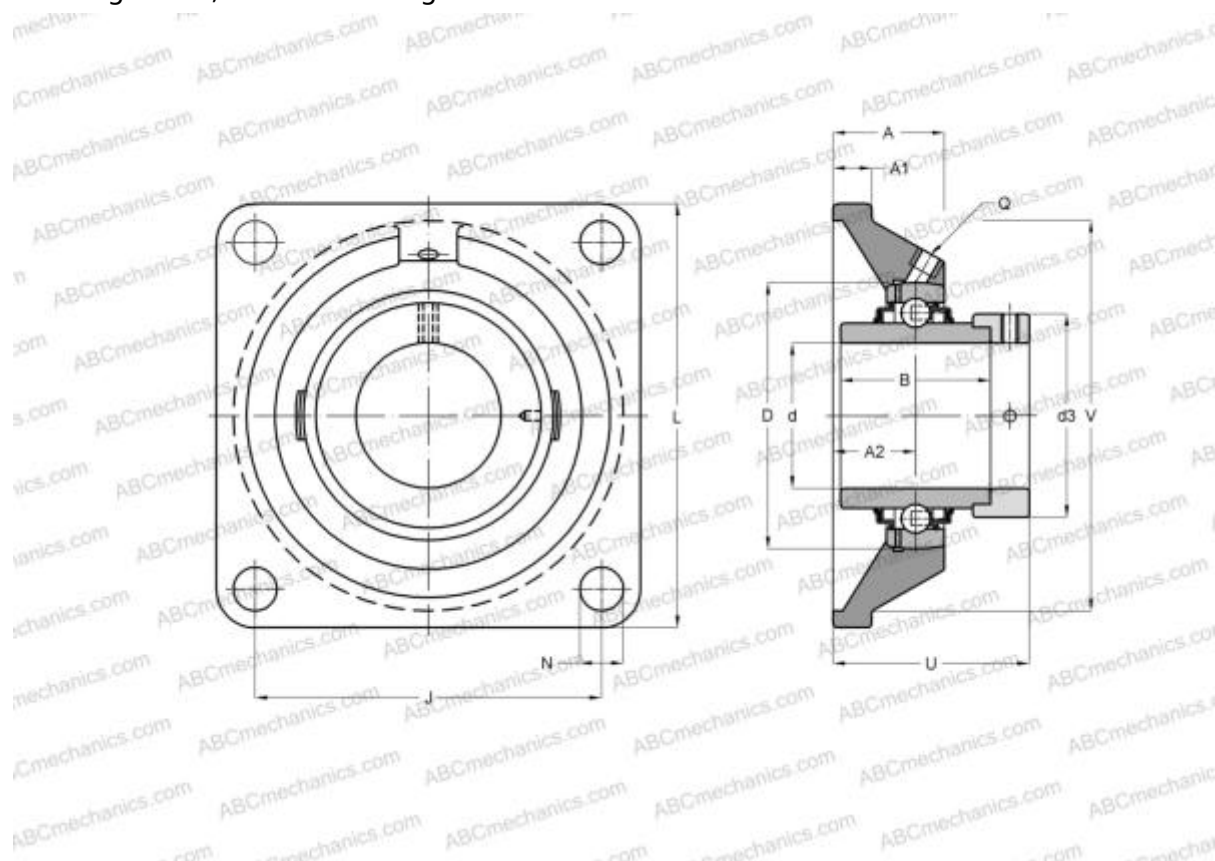


EXF205 SNR

Ball bearing units

TYPE: Housing units, Four-bolt flanged housing units, Cast iron housing, Radial insert ball bearing with eccentric locking collar, With inner ring extended on both sides



Technical specification

DIMENSIONS, MM

d	25,000
D	52,000
B	44,300
L	95,000
A	27,000
J	70,000
A1	13,000
A2	16,000
N	12,000
d3	38,100
U	42,900
Q	M6x1

WEIGHT, KG

0,900

Bearing	EX205
Housing	F205

MANUFACTURER

[SNR](#)

INTERCHANGE

ABC [EXF205](#)

CALCULATION DATA

Basic dynamic load rating, C	14,000 kN
Basic static load rating, Co	7,880 kN
Operating temperature min	-20 °C
Operating temperature max	110 °C