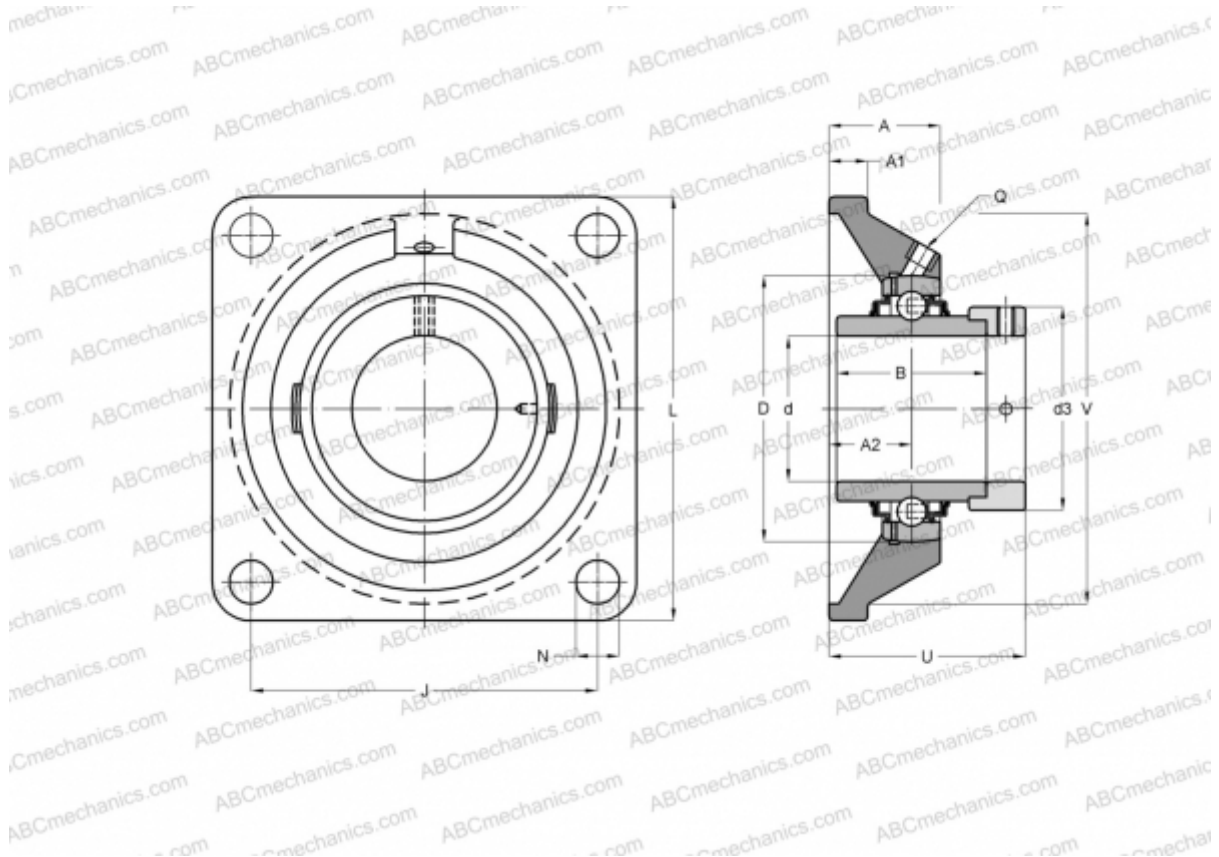


EXFE201 ABC

Ball bearing units

TYPE: Housing units, Four-bolt flanged housing units, Cast iron housing, Radial insert ball bearing with eccentric locking collar, With inner ring extended on both sides, massive bearing units



Technical specification

DIMENSIONS, MM

| | |
|----|--------|
| d | 12,000 |
| D | 47,000 |
| B | 43,500 |
| L | 86,000 |
| A | 29,500 |
| J | 63,500 |
| A1 | 10,000 |
| A2 | 19,000 |
| N | 11,500 |
| d3 | 33,300 |
| U | 45,500 |
| Q | R1/8" |

WEIGHT, KG

0,800

| | |
|---------|-------|
| Bearing | EX201 |
| Housing | FE204 |

MANUFACTURER

[ABC](#)

INTERCHANGE

| | |
|-----|-------------------------|
| SNR | EXFE201 |
|-----|-------------------------|