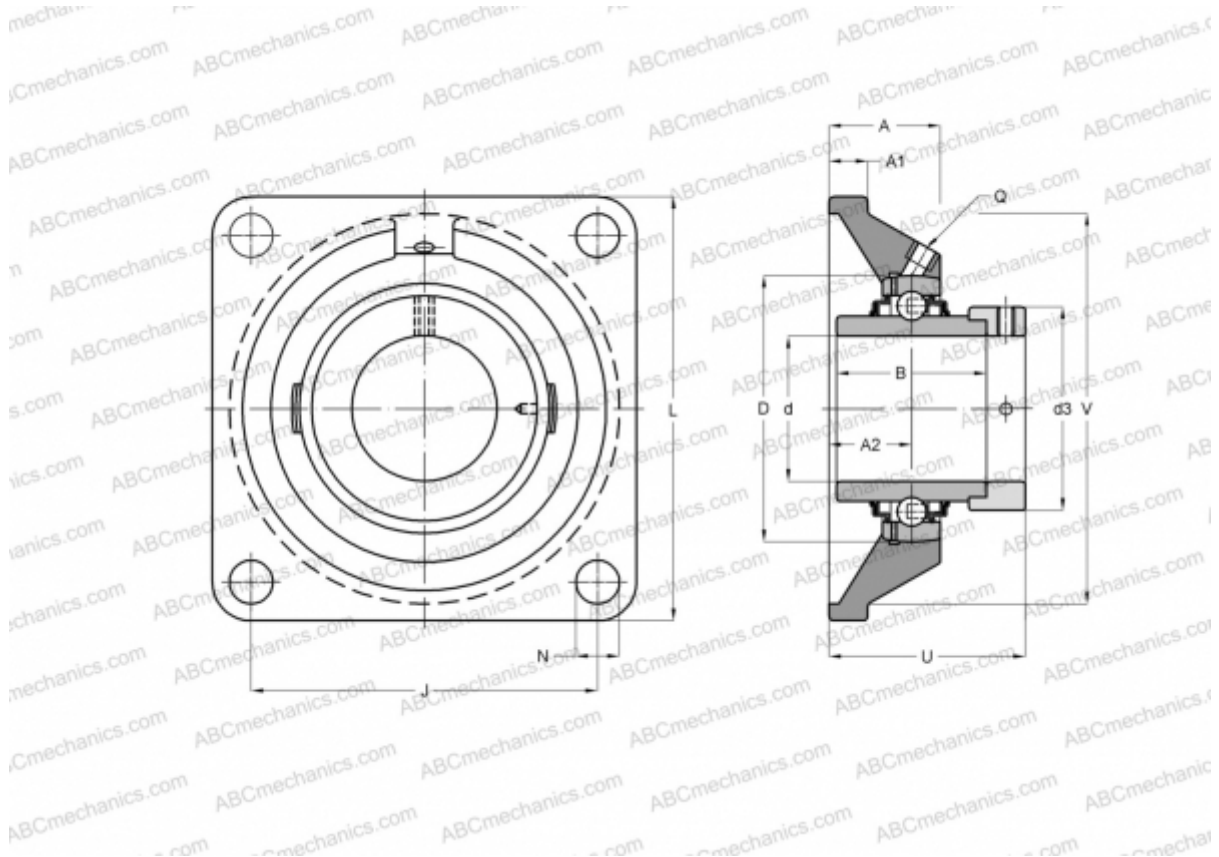


RCJ17 INA

Ball bearing units

TYPE: Housing units, Four-bolt flanged housing units, Cast iron housing, Radial insert ball bearing with eccentric locking collar, With inner ring extended on both sides, massive bearing units



Technical specification

DIMENSIONS, MM

d	17,000
D	40,000
B	37,400
L	76,000
A	27,000
J	54,000
A1	9,500
A2	17,000
N	11,500
d3	28,000
U	40,400
V	58,000
Q	M6

Bearing	GE17-KRR-B
Housing	GG.CJ03

MANUFACTURER

[INA](#)

INTERCHANGE

ABC [RCJ17](#)

CALCULATION DATA

Basic dynamic load rating, C	9,800 kN
Basic static load rating, Co	4,750 kN

WEIGHT, KG 0,560