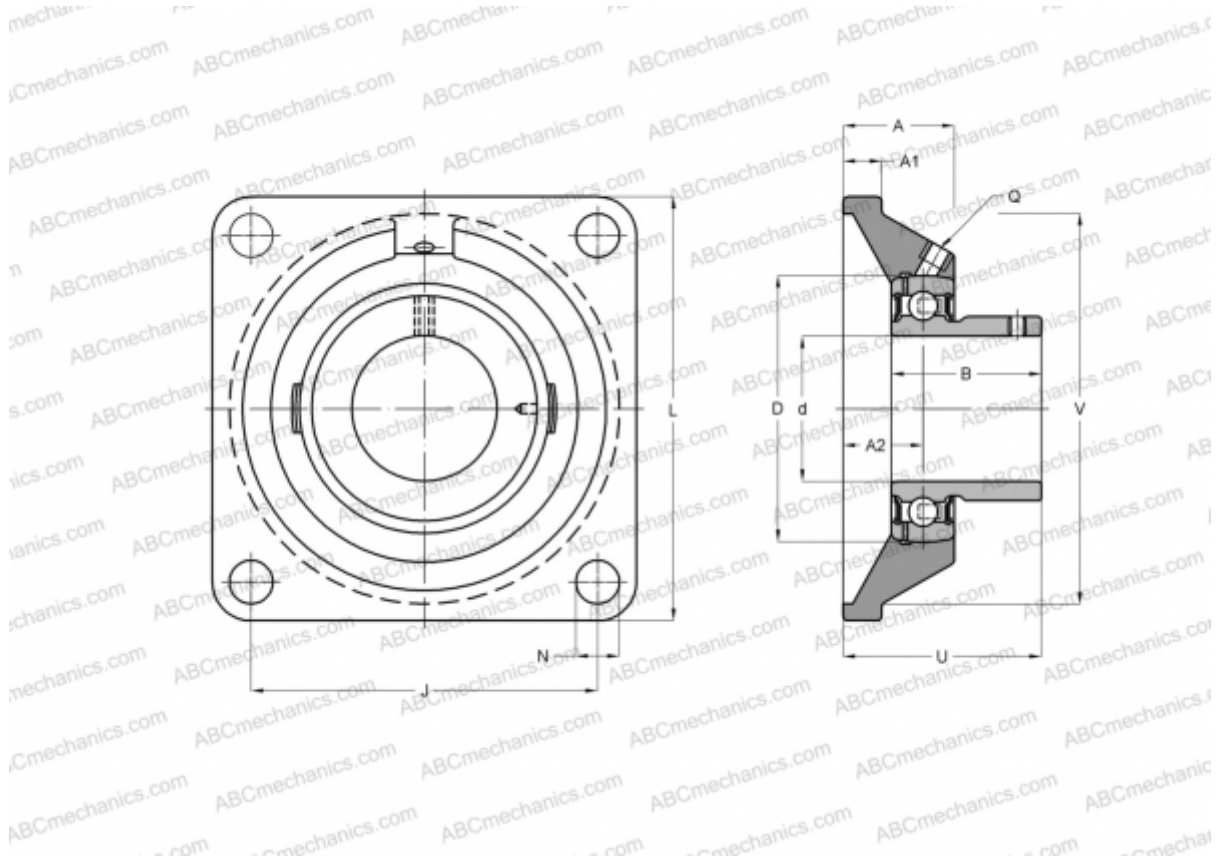


USF201 ABC

Ball bearing units

TYPE: Housing units, Four-bolt flanged housing units, Cast iron housing, Radial insert ball bearing with grub screws in inner ring, With inner ring extended at one side



Technical specification

DIMENSIONS, MM

d	12,000
D	40,000
B	22,000
L	76,000
A	25,500
J	54,000
A1	11,000
A2	15,000
N	12,000
U	31,000
Q	M6x1

WEIGHT, KG 0,400

Bearing US201

Housing

F203

MANUFACTURER

[ABC](#)

INTERCHANGE

SNR

[USF201](#)