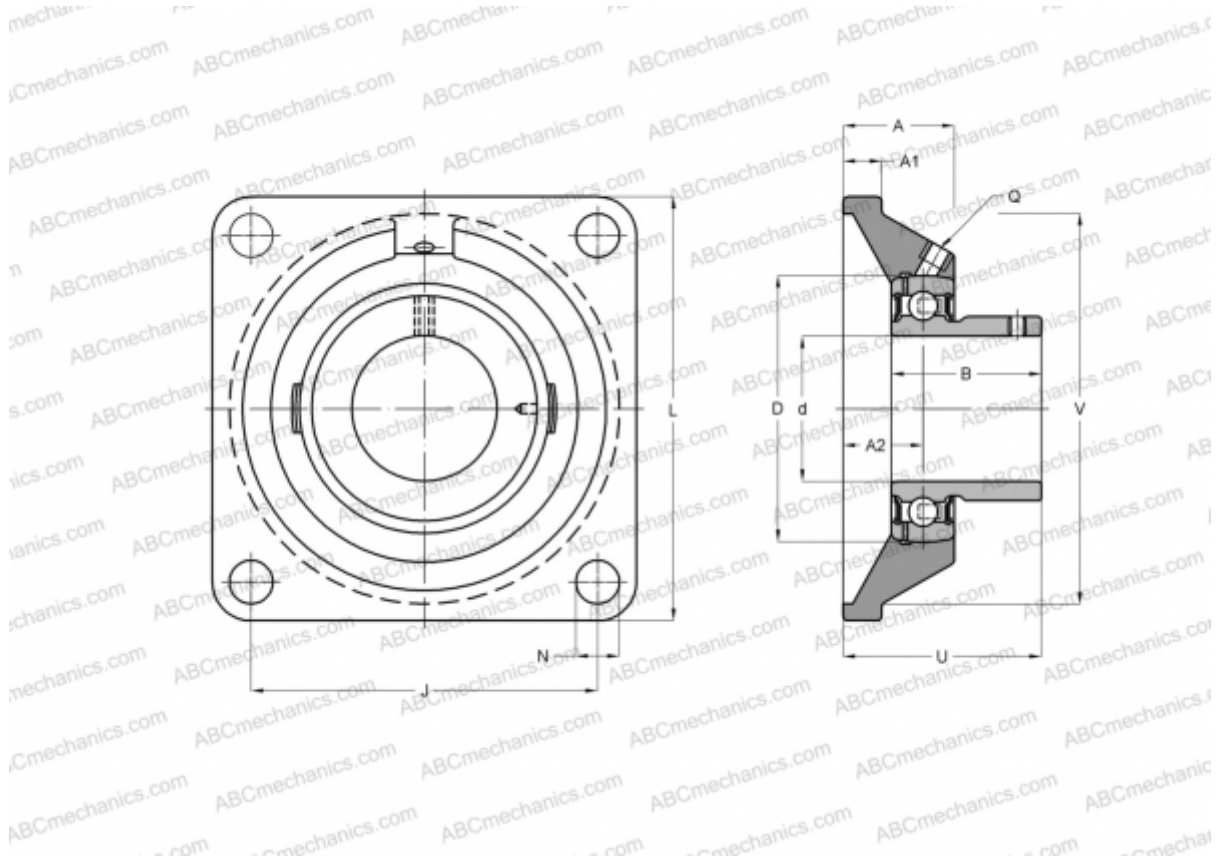


USF202 SNR

Ball bearing units

TYPE: Housing units, Four-bolt flanged housing units, Cast iron housing, Radial insert ball bearing with grub screws in inner ring, With inner ring extended at one side



Technical specification

DIMENSIONS, MM

| | |
|----|--------|
| d | 15,000 |
| D | 40,000 |
| B | 22,000 |
| L | 76,000 |
| A | 25,500 |
| J | 54,000 |
| A1 | 11,000 |
| A2 | 15,000 |
| N | 12,000 |
| U | 31,000 |
| Q | M6x1 |

WEIGHT, KG 0,400

Bearing US202

Housing F203

MANUFACTURER [SNR](#)

INTERCHANGE

ABC [USF202](#)

CALCULATION DATA

| | |
|------------------------------|----------|
| Basic dynamic load rating, C | 9,550 kN |
| Basic static load rating, Co | 4,780 kN |
| Operating temperature min | -20 °C |
| Operating temperature max | 110 °C |