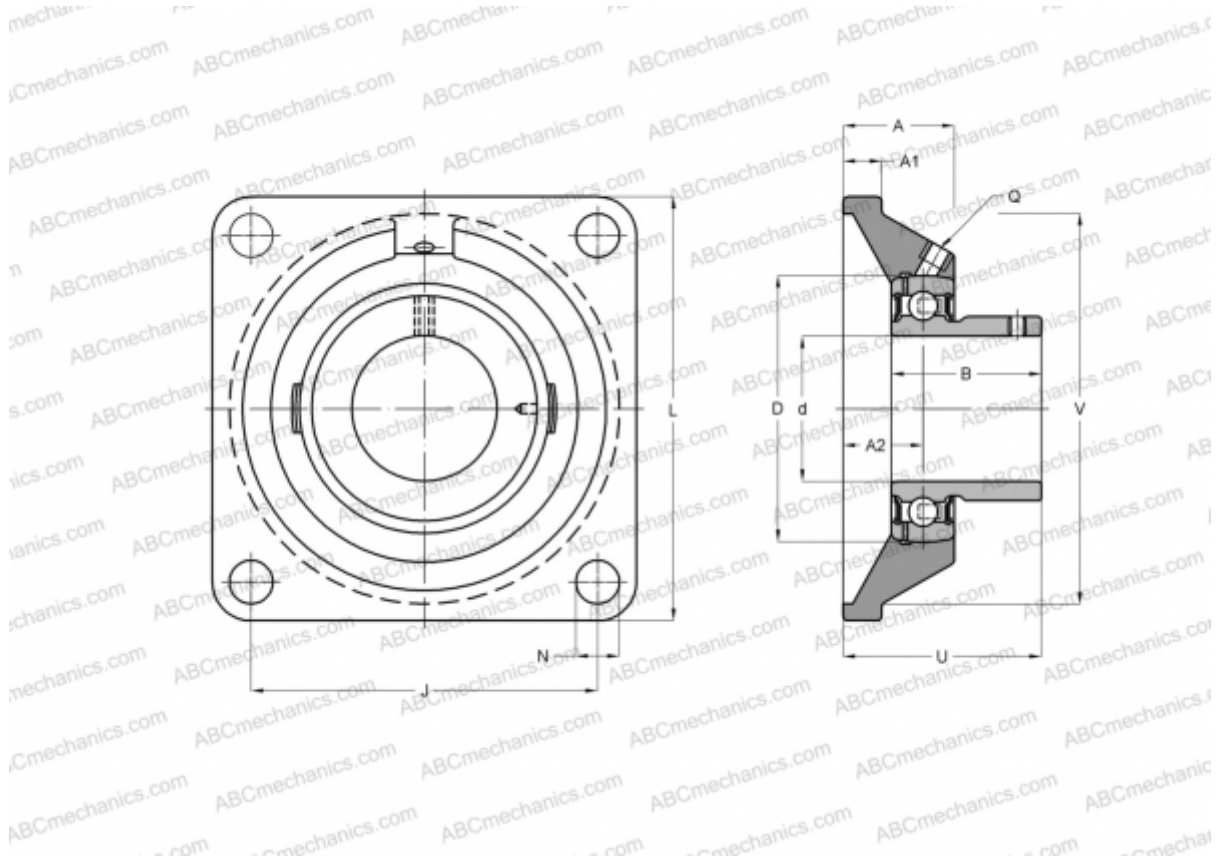


## USF203 SNR

Ball bearing units

TYPE: Housing units, Four-bolt flanged housing units, Cast iron housing, Radial insert ball bearing with grub screws in inner ring, With inner ring extended at one side



### Technical specification

#### DIMENSIONS, MM

d	17,000
D	40,000
B	22,000
L	76,000
A	25,500
J	54,000
A1	11,000
A2	15,000
N	12,000
U	31,000
Q	M6x1

**WEIGHT, KG** 0,400

Bearing US203

Housing F203

**MANUFACTURER** [SNR](#)

#### INTERCHANGE

ABC [USF203](#)

#### CALCULATION DATA

Basic dynamic load rating, C	9,550 kN
Basic static load rating, Co	4,780 kN
Operating temperature min	-20 °C
Operating temperature max	110 °C