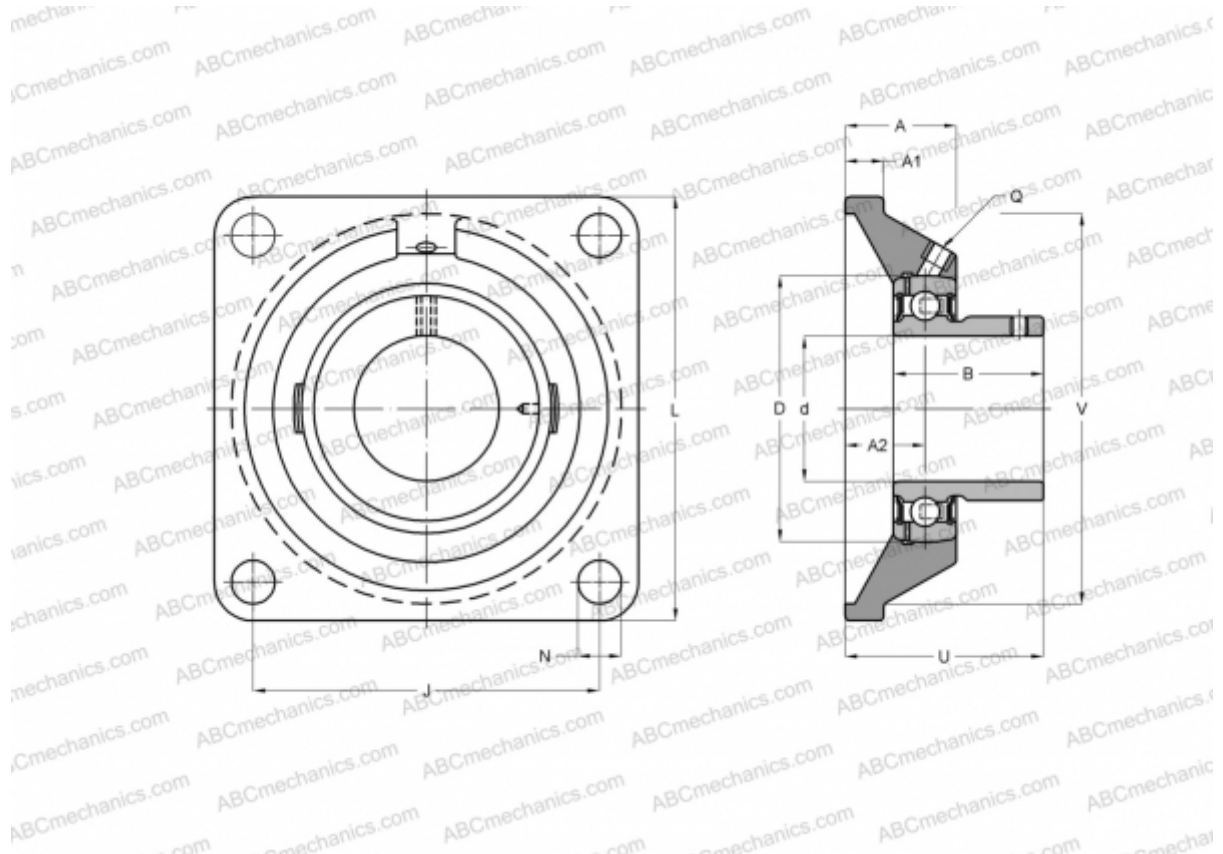


USFE201 ABC

Ball bearing units

TYPE: Housing units, Four-bolt flanged housing units, Cast iron housing, Radial insert ball bearing with grub screws in inner ring, With inner ring extended at one side, wide base, massive bearing units



Technical specification

DIMENSIONS, MM

d	12,000
D	40,000
B	22,000
L	76,000
A	31,000
J	54,000
A1	9,500
A2	17,000
N	11,500
U	33,000
Q	M6x1

WEIGHT, KG 0,400

Bearing US201

Housing FE203

MANUFACTURER [ABC](#)

INTERCHANGE

INA [PCJY12](#)

SNR [USFE201](#)