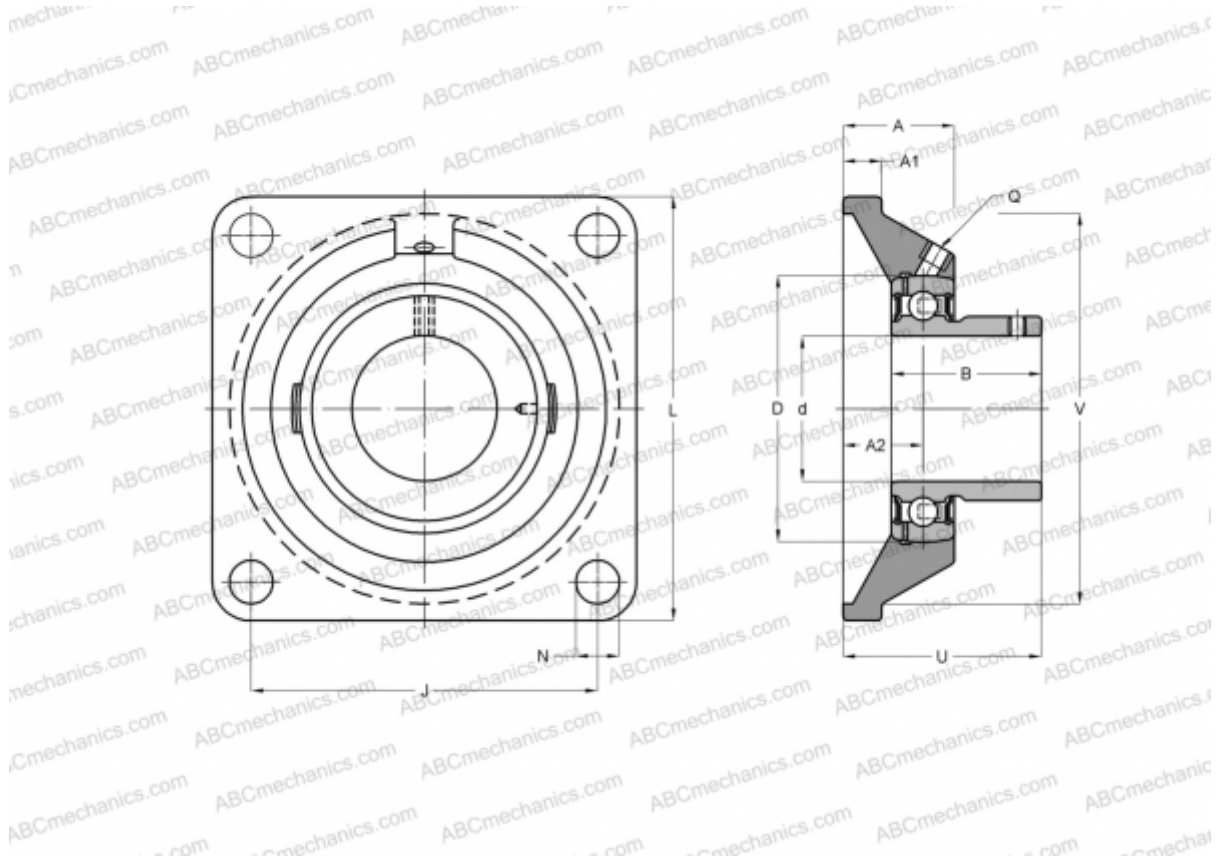


PCJY20-N INA

Ball bearing units

TYPE: Housing units, Four-bolt flanged housing units, Cast iron housing, Radial insert ball bearing with grub screws in inner ring, With inner ring extended at one side, wide base, massive bearing units



Technical specification

DIMENSIONS, MM

d	20,000
D	47,000
B	25,000
L	86,000
A	29,000
J	63,500
A1	10,000
A2	19,000
N	11,500
U	37,000
V	68,000
Q	Rp1/8

WEIGHT, KG 0,560

Bearing	GAY20-NPP-B
Housing	GG.CJ04-N

MANUFACTURER

[INA](#)

INTERCHANGE

ABC	USFE204
SNR	USFE204

CALCULATION DATA

Basic dynamic load rating, C	12,800 kN
Basic static load rating, Co	6,600 kN