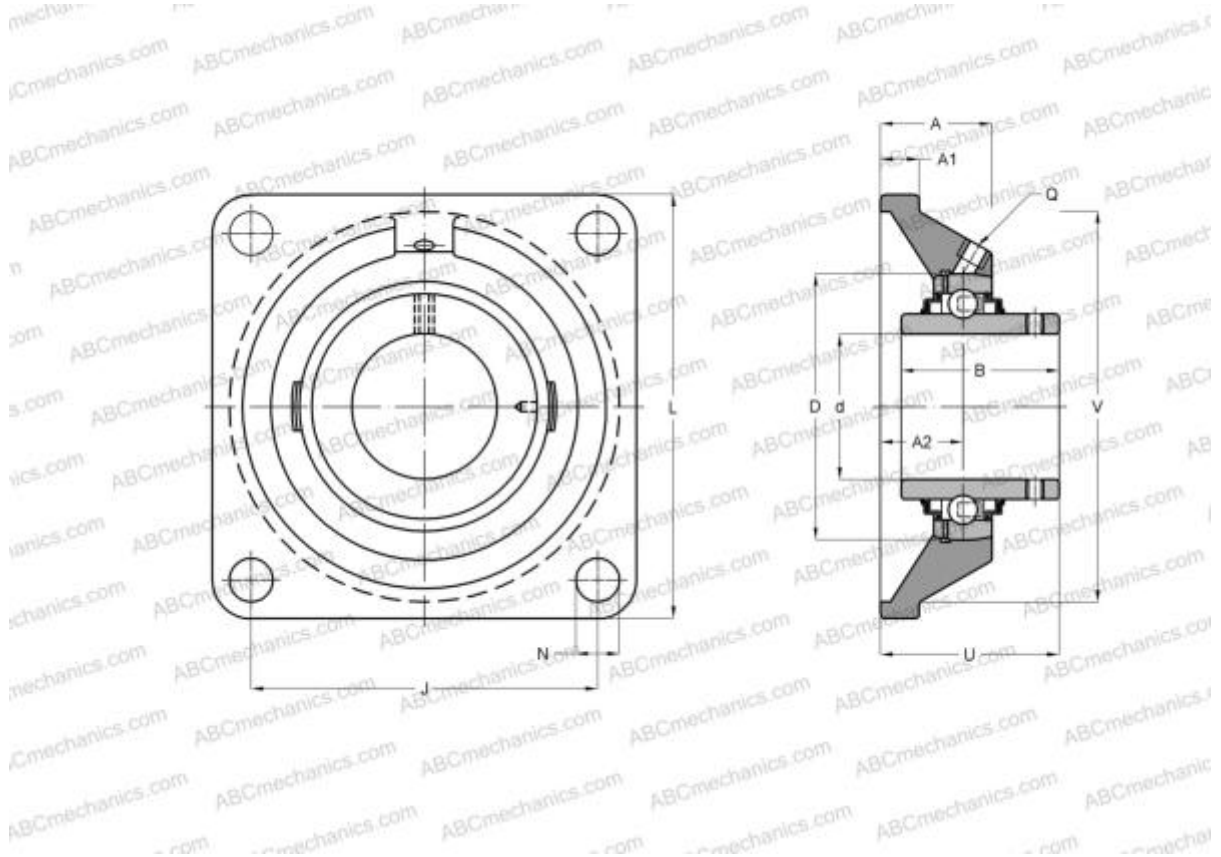


## UCF 201 ASAHI

Ball bearing units

TYPE: Housing units, Four-bolt flanged housing units, Cast iron housing, Radial insert ball bearing with grub screws in inner ring, With inner ring extended on both sides



### Technical specification

#### DIMENSIONS, MM

d	12,000
D	47,000
B	31,000
L	86,000
A	25,500
J	64,000
A1	12,000
A2	15,000
N	12,000
U	33,300

#### WEIGHT, KG

	0,640
Bearing	UC 201
Housing	F 204

#### MANUFACTURER

[ASAHI](#)

#### INTERCHANGE

ABC	<a href="#">UCF201</a>
SNR	<a href="#">UCF201</a>
SLB	<a href="#">UCF 201</a>
FYH	<a href="#">UCF201</a>
NTN	<a href="#">UCF 201 D1</a>