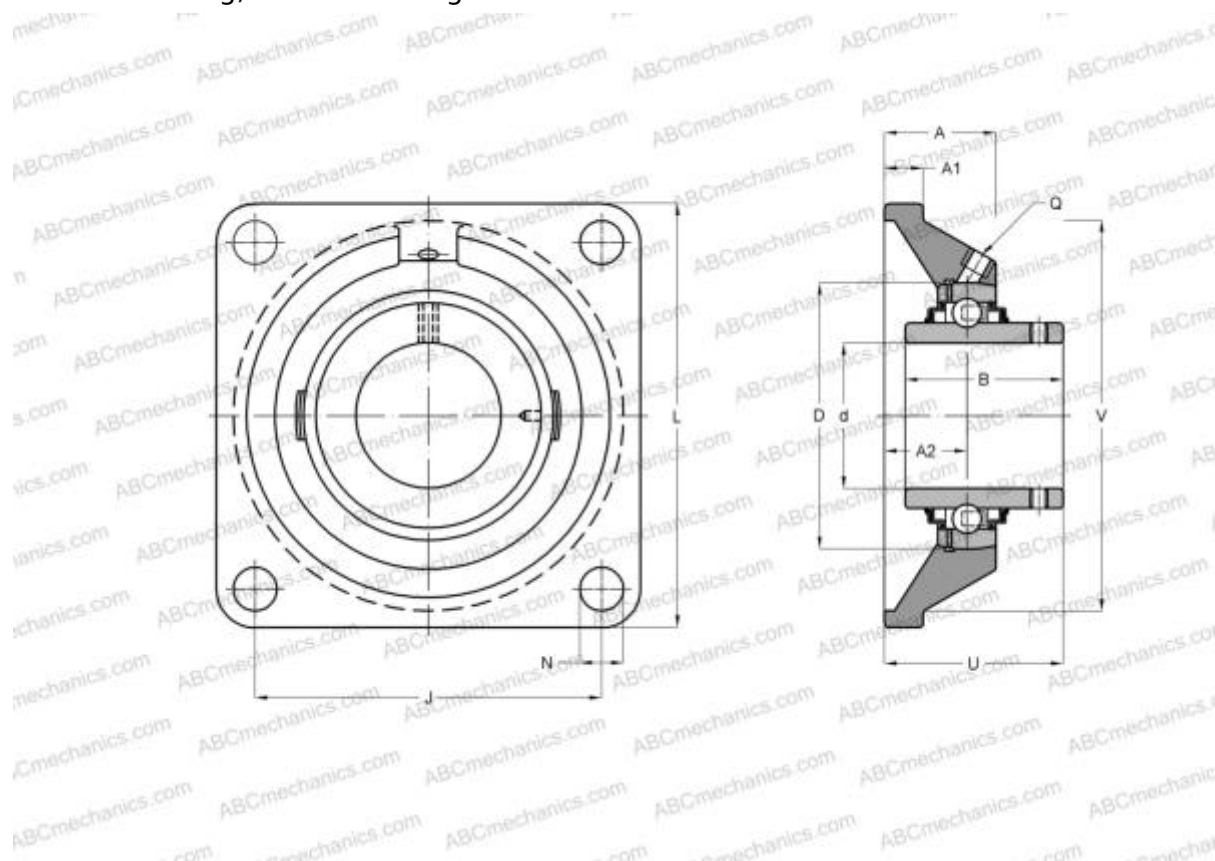


UCF 202 ASAHI

Ball bearing units

TYPE: Housing units, Four-bolt flanged housing units, Cast iron housing, Radial insert ball bearing with grub screws in inner ring, With inner ring extended on both sides



Technical specification

DIMENSIONS, MM

d	15,000
D	47,000
B	31,000
L	86,000
A	25,500
J	64,000
A1	12,000
A2	15,000
N	12,000
U	33,300

WEIGHT, KG 0,620

Bearing	UC 202
Housing	F 204

MANUFACTURER

[ASAHI](#)

INTERCHANGE

ABC	UCF202
SNR	UCF202
SLB	UCF 202
FYH	UCF202
NTN	UCF 202 D1