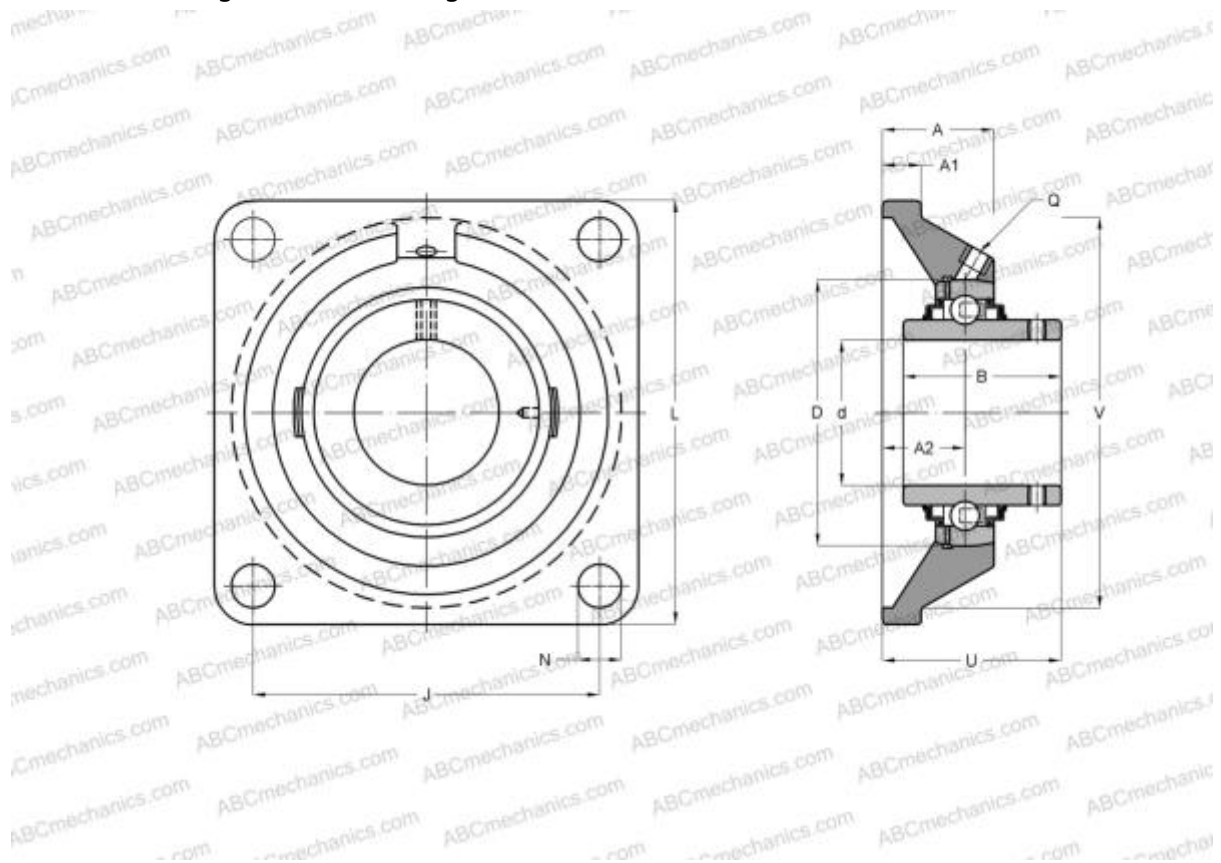


UCF202 SNR

Ball bearing units

TYPE: Housing units, Four-bolt flanged housing units, Cast iron housing, Radial insert ball bearing with grub screws in inner ring, With inner ring extended on both sides



Technical specification

DIMENSIONS, MM

d	15,000
D	47,000
B	31,000
L	86,000
A	25,500
J	64,000
A1	11,000
A2	15,000
N	12,000
U	33,300
Q	M6x1

WEIGHT, KG

Bearing	UC202	0,600
---------	-------	-------

Housing F204

MANUFACTURER

[SNR](#)

INTERCHANGE

ABC	UCF202
ASAHI	UCF 202
SLB	UCF 202
FYH	UCF202
NTN	UCF 202 D1

CALCULATION DATA

Basic dynamic load rating, C	12,800 kN
Basic static load rating, Co	6,650 kN
Operating temperature min	-20 °C
Operating temperature max	110 °C