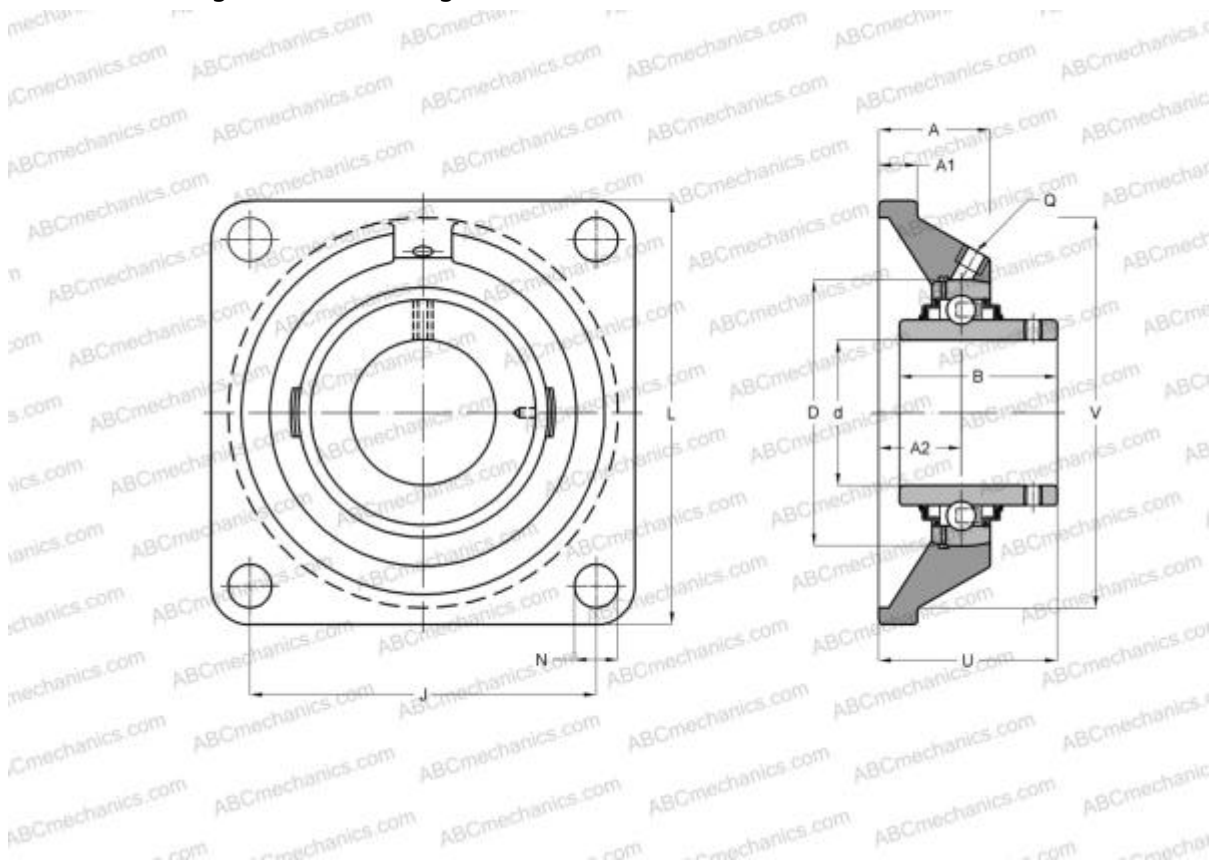


## UCF217 ABC

Ball bearing units

TYPE: Housing units, Four-bolt flanged housing units, Cast iron housing, Radial insert ball bearing with grub screws in inner ring, With inner ring extended on both sides



### Technical specification

#### DIMENSIONS, MM

d	85,000
D	150,000
B	85,700
L	220,000
A	63,000
J	175,000
A1	24,000
A2	36,000
N	23,000
U	87,600
Q	M10x1

#### WEIGHT, KG

Bearing	UC217	8,800
---------	-------	-------

Housing F217

#### MANUFACTURER

[ABC](#)

#### INTERCHANGE

ASAHI	<a href="#">UCF 217</a>
SNR	<a href="#">UCF217</a>
SLB	<a href="#">UCF 217</a>
FYH	<a href="#">UCF217</a>
NTN	<a href="#">UCF 217 D1</a>
ABC	<a href="#">UCF218</a>
SNR	<a href="#">UCF218</a>
ASAHI	<a href="#">UCF 218</a>
SLB	<a href="#">UCF 218</a>
FYH	<a href="#">UCF218</a>
NTN	<a href="#">UCF 218 D1</a>