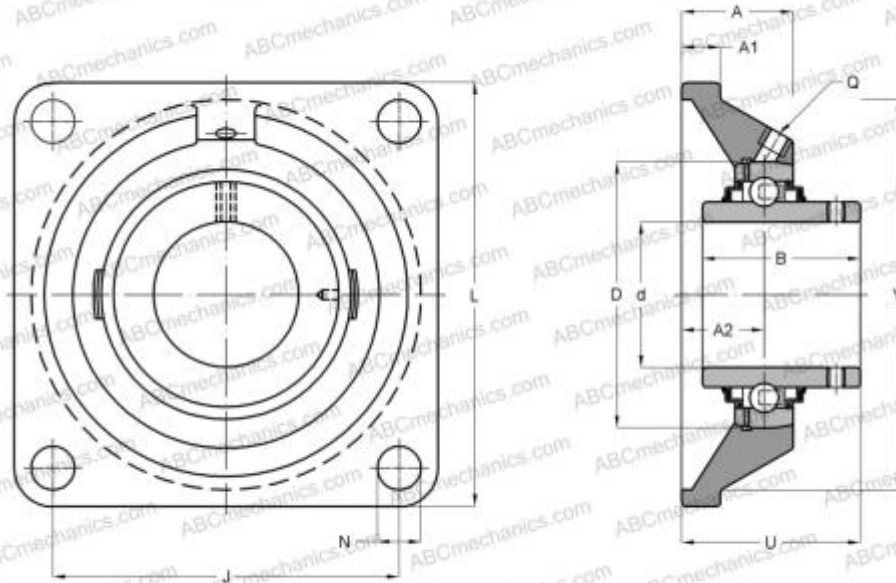


UCF217 SNR

Ball bearing units

TYPE: Housing units, Four-bolt flanged housing units, Cast iron housing, Radial insert ball bearing with grub screws in inner ring, With inner ring extended on both sides



Technical specification

DIMENSIONS, MM

| | |
|----|---------|
| d | 85,000 |
| D | 150,000 |
| B | 85,700 |
| L | 220,000 |
| A | 63,000 |
| J | 175,000 |
| A1 | 24,000 |
| A2 | 36,000 |
| N | 23,000 |
| U | 87,600 |
| Q | M10x1 |

WEIGHT, KG

| | |
|---------|-------|
| Housing | 8,800 |
| Bearing | UC217 |

Housing F217

MANUFACTURER

[SNR](#)

INTERCHANGE

| | |
|-------|----------------------------|
| ABC | UCF217 |
| ASAHI | UCF 217 |
| SLB | UCF 217 |
| FYH | UCF217 |
| NTN | UCF 217 D1 |
| ABC | UCF218 |
| SNR | UCF218 |
| ASAHI | UCF 218 |
| SLB | UCF 218 |
| FYH | UCF218 |
| NTN | UCF 218 D1 |

CALCULATION DATA

| | |
|------------------------------|-----------|
| Basic dynamic load rating, C | 83,200 kN |
| Basic static load rating, Co | 63,800 kN |
| Operating temperature min | -20 °C |
| Operating temperature max | 110 °C |