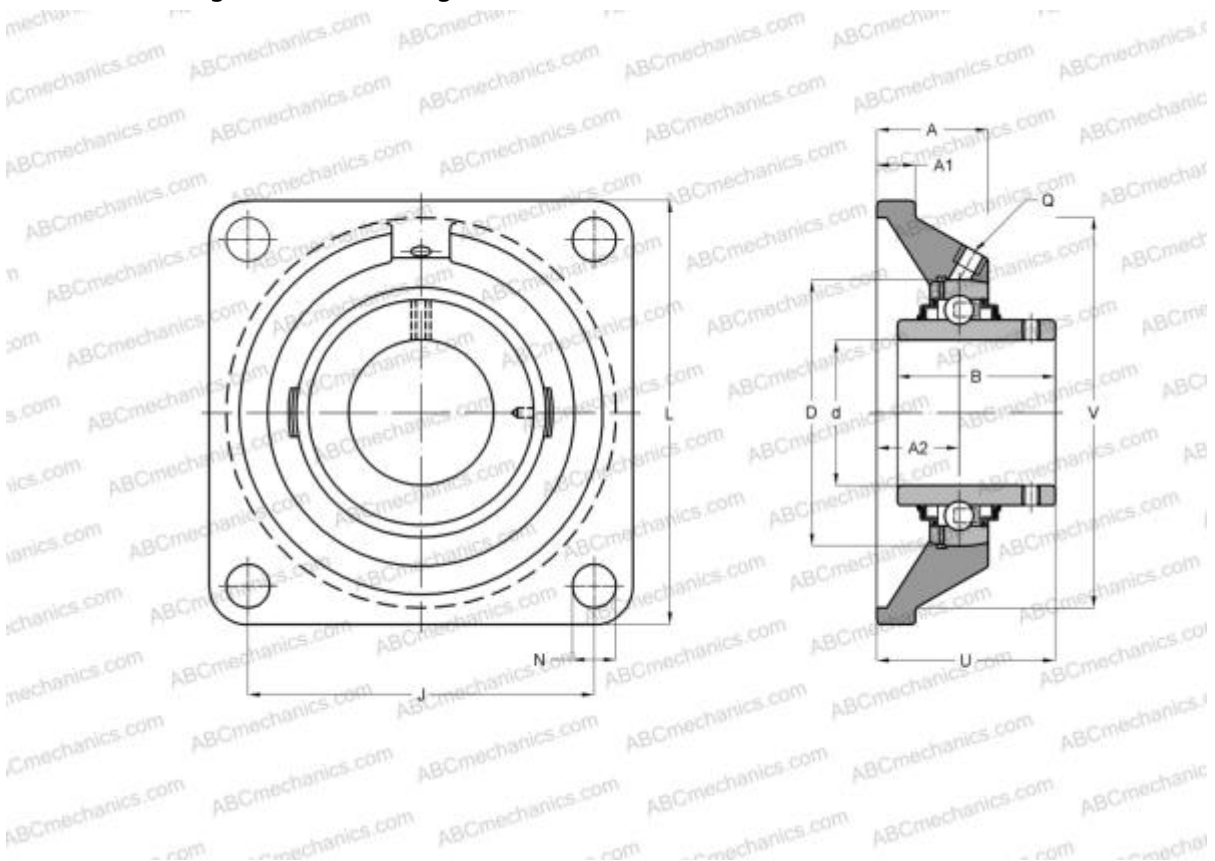


UCF218 SNR

Ball bearing units

TYPE: Housing units, Four-bolt flanged housing units, Cast iron housing, Radial insert ball bearing with grub screws in inner ring, With inner ring extended on both sides



Technical specification

DIMENSIONS, MM

d	90,000
D	160,000
B	96,000
L	235,000
A	68,000
J	187,000
A1	25,000
A2	40,000
N	23,000
U	96,300
Q	M10x1

WEIGHT, KG

Bearing	11,600
	UC218

Housing F218

MANUFACTURER

[SNR](#)

INTERCHANGE

ABC	UCF218
ASAHI	UCF 217
ASAHI	UCF 218
SLB	UCF 218
FYH	UCF218
NTN	UCF 218 D1
ABC	UCF217
SNR	UCF217
SLB	UCF 217
FYH	UCF217
NTN	UCF 217 D1

CALCULATION DATA

Basic dynamic load rating, C	96,000 kN
Basic static load rating, Co	71,500 kN
Operating temperature min	-20 °C
Operating temperature max	110 °C