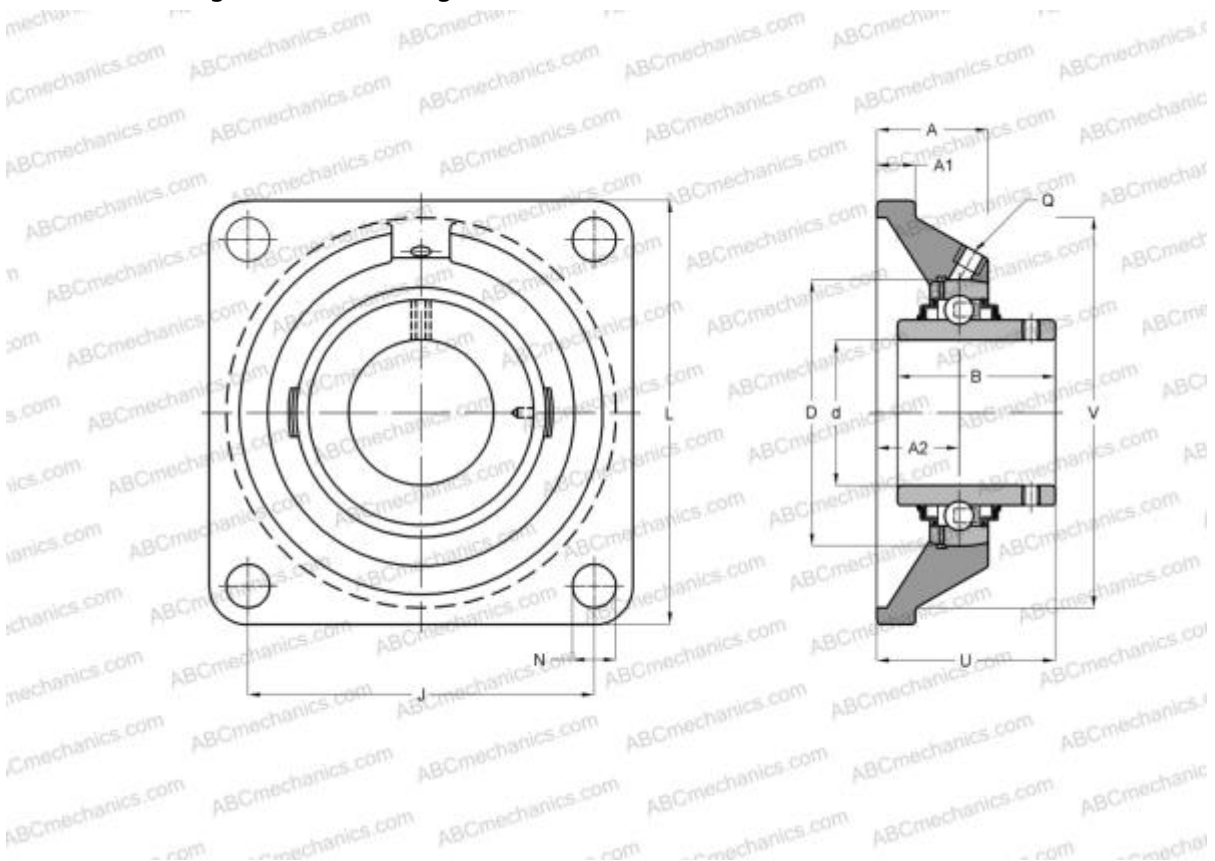


## UCF 218 ASAHI

Ball bearing units

TYPE: Housing units, Four-bolt flanged housing units, Cast iron housing, Radial insert ball bearing with grub screws in inner ring, With inner ring extended on both sides



### Technical specification

#### DIMENSIONS, MM

d	90,000
D	160,000
B	96,000
L	235,000
A	68,000
J	187,000
A1	26,000
A2	40,000
N	23,000
U	96,300

#### WEIGHT, KG

Bearing	UC 218
Housing	F 218

#### MANUFACTURER

[ASAHI](#)

#### INTERCHANGE

ABC	<a href="#">UCF218</a>
ASAHI	<a href="#">UCF 217</a>
SNR	<a href="#">UCF218</a>
SLB	<a href="#">UCF 218</a>
FYH	<a href="#">UCF218</a>
NTN	<a href="#">UCF 218 D1</a>
ABC	<a href="#">UCF217</a>
SNR	<a href="#">UCF217</a>
SLB	<a href="#">UCF 217</a>
FYH	<a href="#">UCF217</a>
NTN	<a href="#">UCF 217 D1</a>