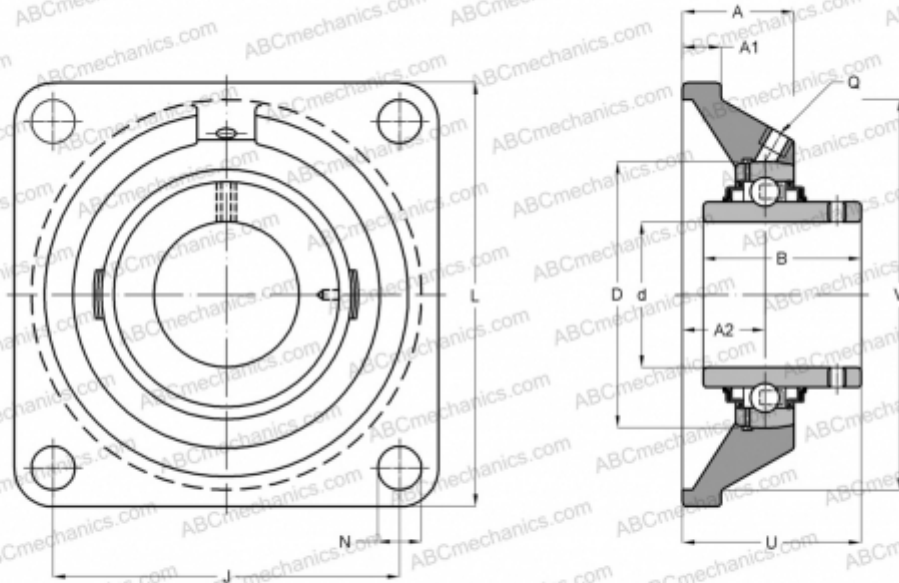


## RCJY12 INA

Ball bearing units

TYPE: Housing units, Four-bolt flanged housing units, Cast iron housing, Radial insert ball bearing with grub screws in inner ring, With inner ring extended on both sides, massive bearing units



### Technical specification

#### DIMENSIONS, MM

d	12,000
D	40,000
B	27,400
L	76,000
A	27,000
J	54,000
A1	9,500
A2	17,000
N	11,500
U	32,900
V	58,000
Q	M6

**WEIGHT, KG** 0,510

Bearing	GYE12-KRR-B
Housing	GG.CJ03

#### MANUFACTURER

[INA](#)

#### INTERCHANGE

ABC	<a href="#">RCJY12</a>
SKF	<a href="#">FY 12 TF</a>

#### CALCULATION DATA

Basic dynamic load rating, C	9,800 kN
Basic static load rating, Co	4,750 kN