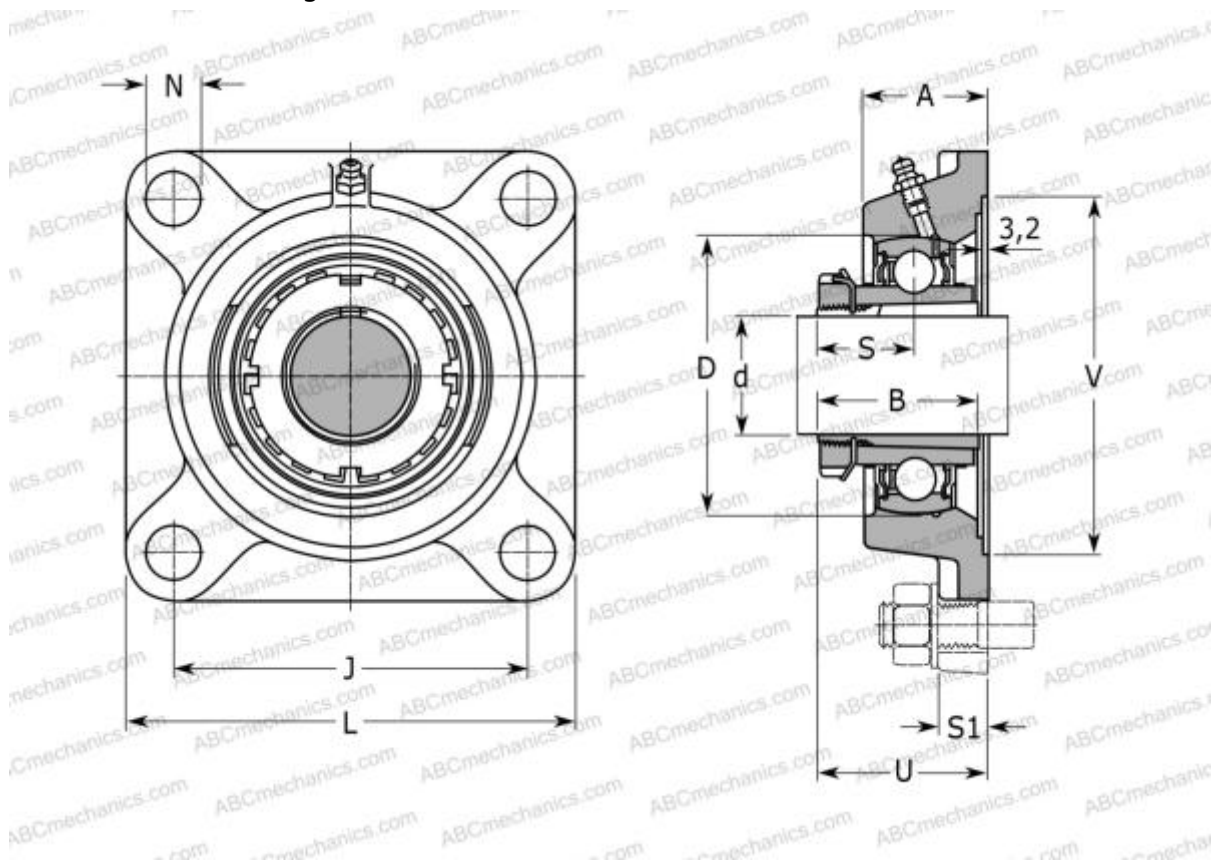


UKF205H ABC

Ball bearing units

TYPE: Housing units, Four-bolt flanged housing units, Cast iron housing, Radial insert ball bearing with adapter sleeve, With inner ring extended on both sides



Technical specification

DIMENSIONS, MM

| | |
|----|--------|
| d | 20,000 |
| D | 52,000 |
| B | 35,000 |
| L | 95,000 |
| A | 27,000 |
| J | 70,000 |
| A1 | 13,000 |
| A2 | 16,000 |
| N | 12,000 |
| d3 | 38,000 |
| U | 34,500 |
| Q | M6x1 |

WEIGHT, KG 0,800

| | |
|----------------|---------|
| Bearing | UK205 + |
| Housing | F205 |
| Adapter sleeve | H2305 |

MANUFACTURER

[ABC](#)

INTERCHANGE

| | |
|-------|---------------------------------|
| ASAHI | UKF 205 + H2305 |
| SNR | UKF205H |
| SLB | UKF 205 |
| FYH | UKF205 |
| NTN | UKF 205 D1 |