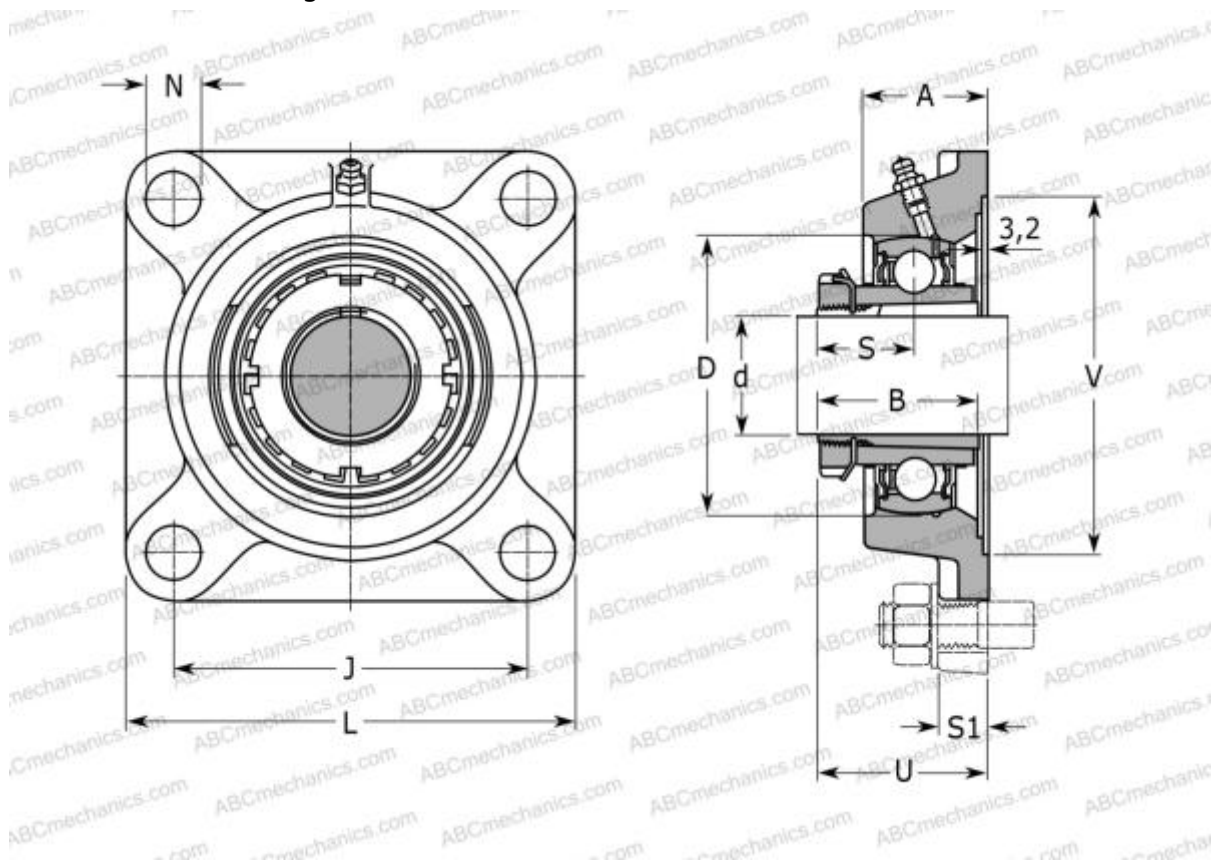


UKF 205 + H2305 ASAHI

Ball bearing units

TYPE: Housing units, Four-bolt flanged housing units, Cast iron housing, Radial insert ball bearing with adapter sleeve, With inner ring extended on both sides



Technical specification

DIMENSIONS, MM

d	20,000
D	52,000
B	35,000
L	95,000
A	27,000
J	70,000
A1	14,000
A2	16,000
N	12,000
U	35,500

WEIGHT, KG

Bearing	UK 205
Housing	F 205

Adapter sleeve

H2305

MANUFACTURER

[ASAHI](#)

INTERCHANGE

ABC	UKF205H
SNR	UKF205H
SLB	UKF 205
FYH	UKF205
NTN	UKF 205 D1