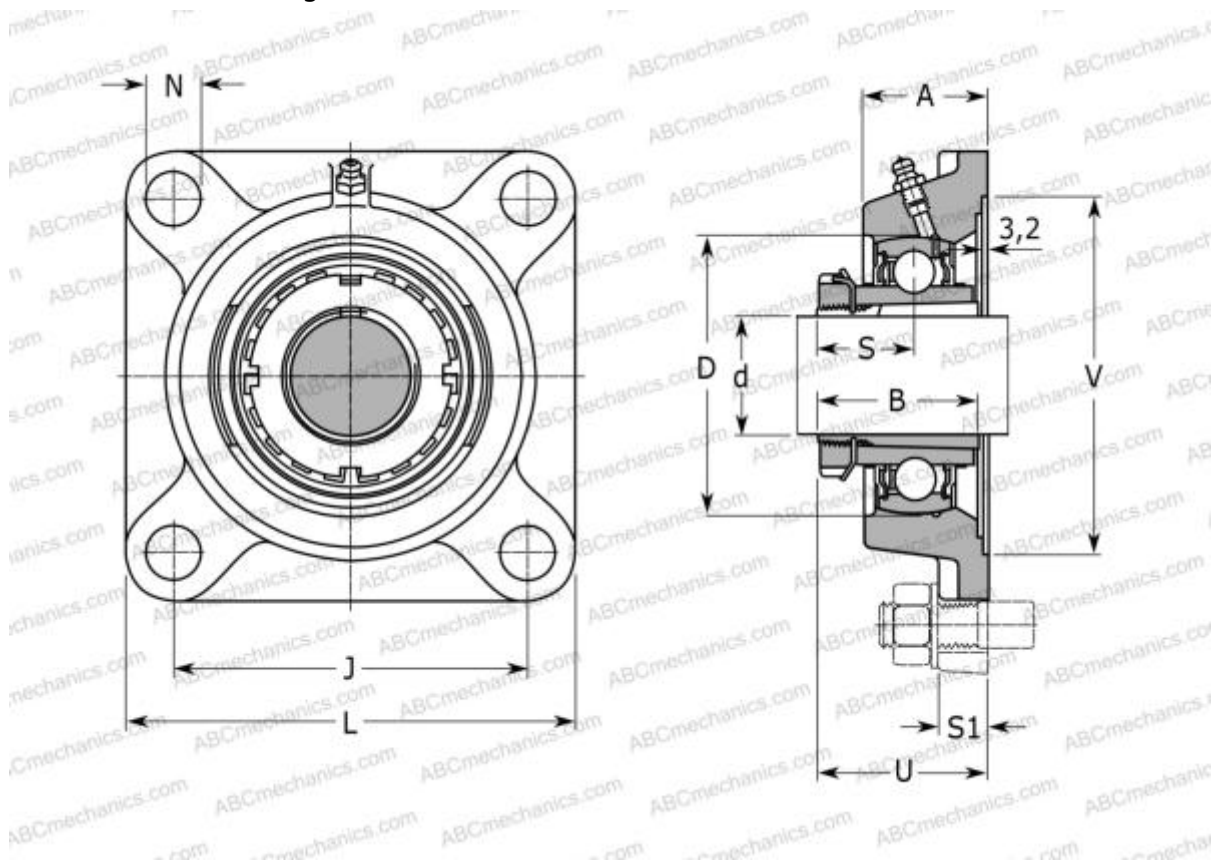


UKF305H ABC

Ball bearing units

TYPE: Housing units, Four-bolt flanged housing units, Cast iron housing, Radial insert ball bearing with adapter sleeve, With inner ring extended on both sides



Technical specification

DIMENSIONS, MM

d	20,000
D	62,000
B	35,000
L	108,000
A	29,000
J	80,000
A1	13,000
A2	16,000
N	16,000
d3	38,000
U	37,500
Q	M6x1

WEIGHT, KG 1,200

Bearing	UK305 +
Housing	F305
Adapter sleeve	H2305

MANUFACTURER

[ABC](#)

INTERCHANGE

ASAHI	UKF 305 + H2305
SNR	UKF305H