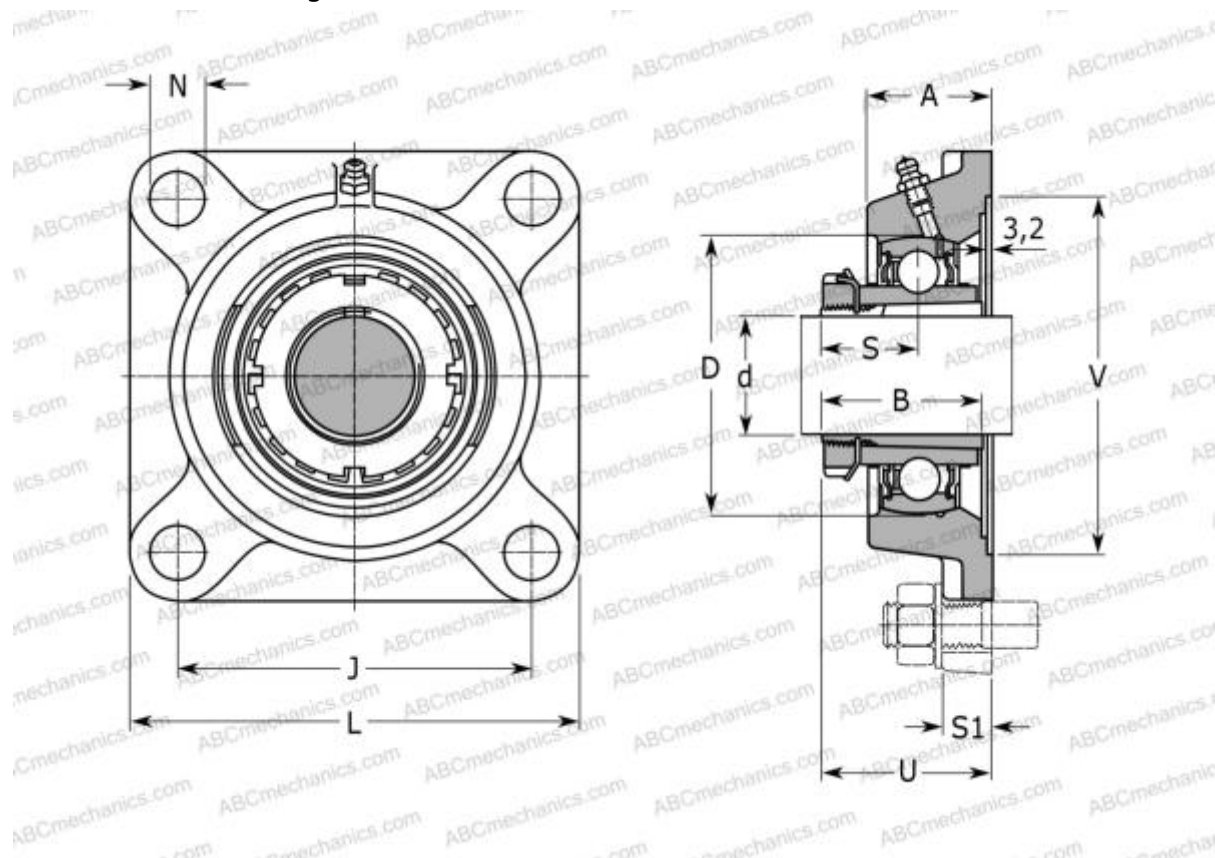


UKF 305 + H2305 ASAHI

Ball bearing units

TYPE: Housing units, Four-bolt flanged housing units, Cast iron housing, Radial insert ball bearing with adapter sleeve, With inner ring extended on both sides



Technical specification

DIMENSIONS, MM

d	20,000
D	62,000
B	35,000
L	110,000
A	29,000
J	80,000
A1	13,000
A2	16,000
N	16,000
U	37,000

WEIGHT, KG

Bearing	UK 305
Housing	F 305

Adapter sleeve

H2305

MANUFACTURER

[ASAHI](#)

INTERCHANGE

ABC

[UKF305H](#)

SNR

[UKF305H](#)