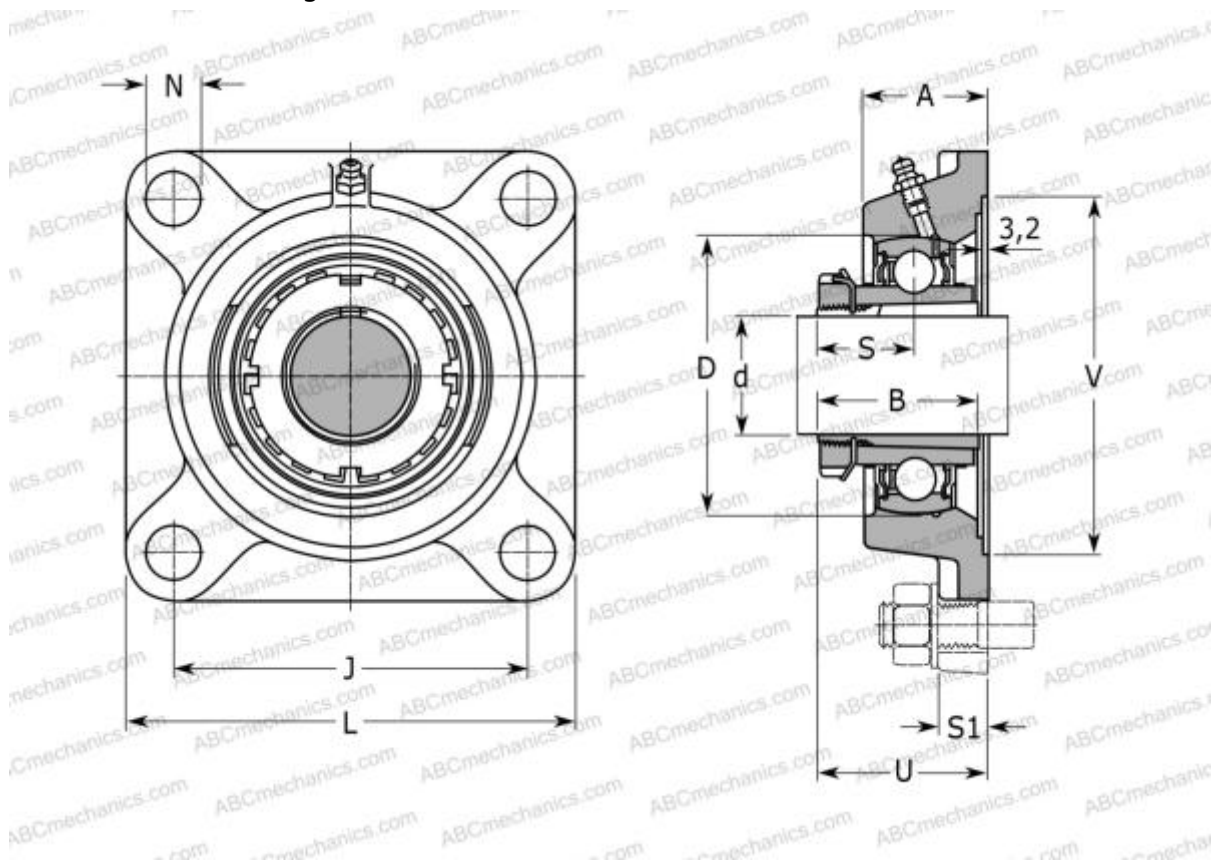


UKF305H SNR

Ball bearing units

TYPE: Housing units, Four-bolt flanged housing units, Cast iron housing, Radial insert ball bearing with adapter sleeve, With inner ring extended on both sides



Technical specification

DIMENSIONS, MM

d	20,000
D	62,000
B	35,000
L	108,000
A	29,000
J	80,000
A1	13,000
A2	16,000
N	16,000
d3	38,000
U	37,500
Q	M6x1

WEIGHT, KG

1,200

Bearing	UK305 +
Housing	F305
Adapter sleeve	H2305

MANUFACTURER

[SNR](#)

INTERCHANGE

ABC	UKF305H
ASAHI	UKF 305 + H2305

CALCULATION DATA

Basic dynamic load rating, C	22,360 kN
Basic static load rating, Co	11,500 kN
Operating temperature min	-20 °C
Operating temperature max	110 °C