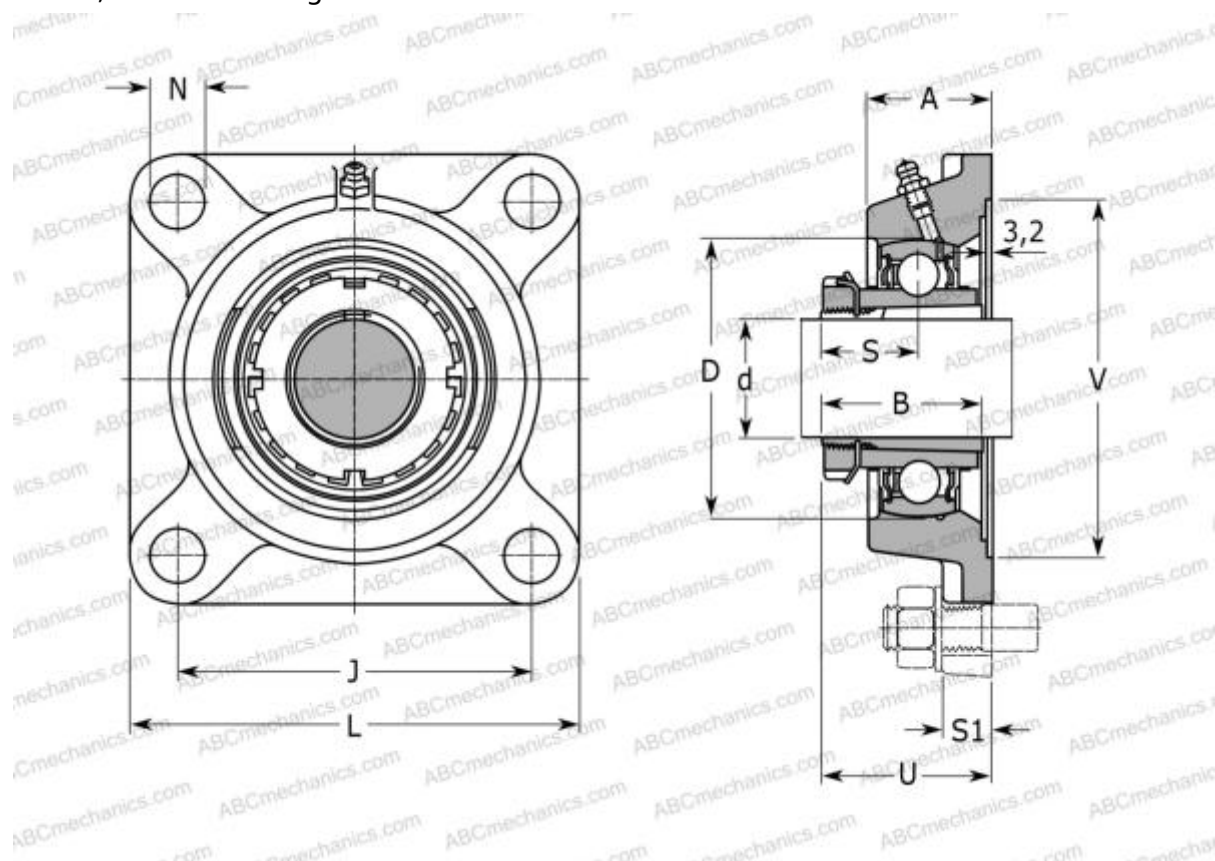


## UKF 206 + H2306 ASAHI

Ball bearing units

TYPE: Housing units, Four-bolt flanged housing units, Cast iron housing, Radial insert ball bearing with adapter sleeve, With inner ring extended on both sides



### Technical specification

#### DIMENSIONS, MM

d	25,000
D	62,000
B	38,000
L	108,000
A	31,000
J	83,000
A1	14,000
A2	18,000
N	12,000
U	39,000

#### WEIGHT, KG

Bearing	UK 206
Housing	F 206

Adapter sleeve

H2306

#### MANUFACTURER

[ASAHI](#)

#### INTERCHANGE

ABC	<a href="#">UKF206H</a>
SNR	<a href="#">UKF206H</a>
SLB	<a href="#">UKF 206</a>
FYH	<a href="#">UKF206</a>
NTN	<a href="#">UKF 206 D1</a>