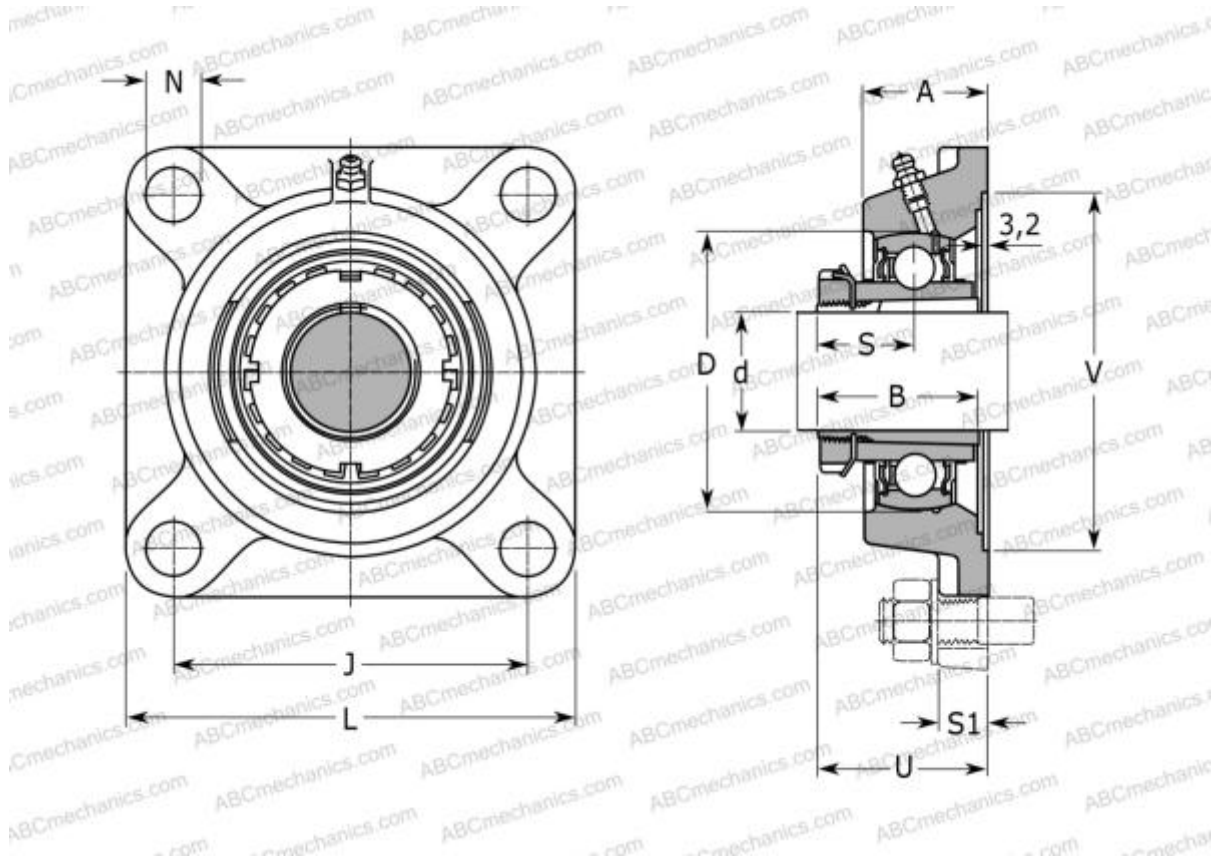


FYJ 25 KF SKF

Ball bearing units

TYPE: Housing units, Four-bolt flanged housing units, Cast iron housing, Radial insert ball bearing with adapter sleeve, With inner ring extended on both sides, massive bearing units



Technical specification

DIMENSIONS, MM

d	20,000
D	52,000
B	35,000
L	95,000
A	27,000
J	70,000
A1	14,000
N	12,000
S	20,000
U	36,000
V	74,600

WEIGHT, KG 0,730

Bearing YSA 205-2FK

Housing FYJ 505

MANUFACTURER

[SKF](#)

INTERCHANGE

ABC	UKFE205H
SNR	UKFE205H

CALCULATION DATA

Basic dynamic load rating, C	14,000 kN
Basic static load rating, Co	7,800 kN
Fatigue load limit, Pu	0,335 kN
Limiting speed	7000 r/min