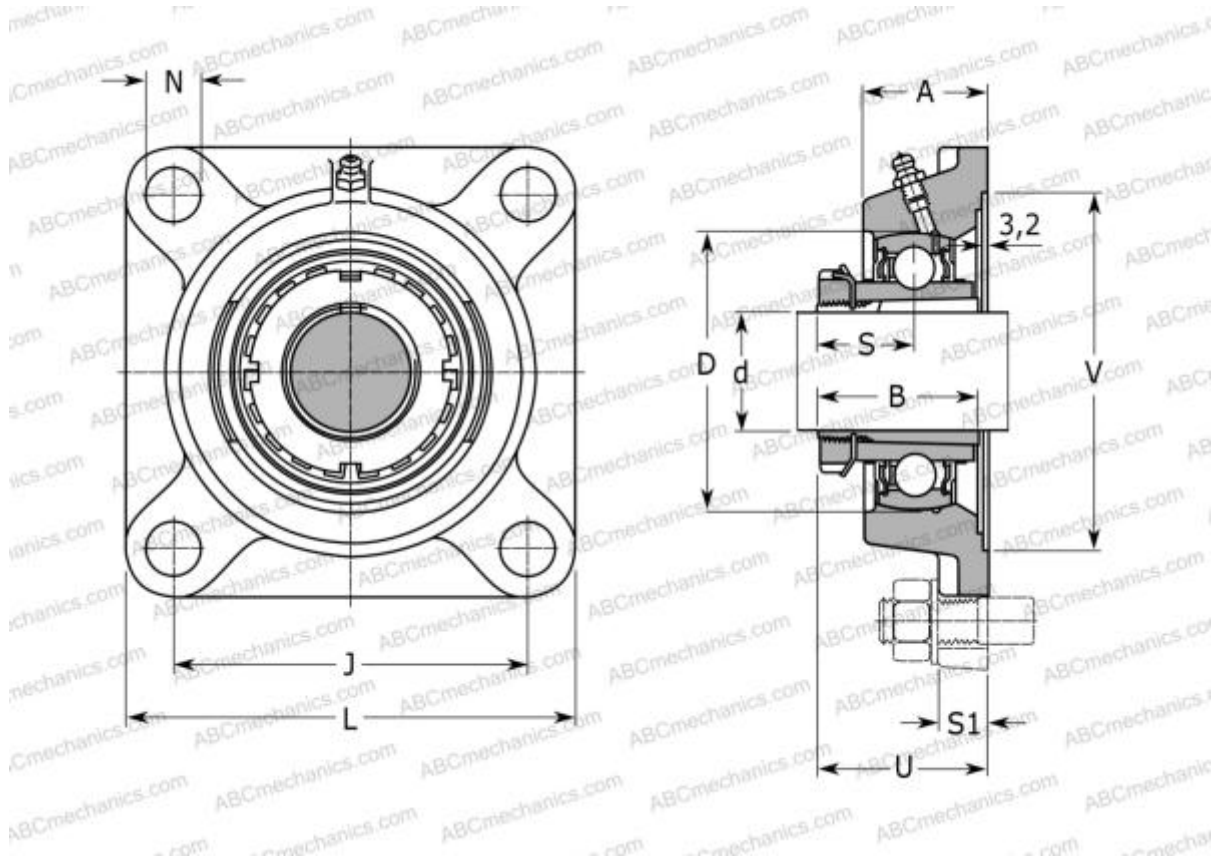


FYJ 30 KF SKF

Ball bearing units

TYPE: Housing units, Four-bolt flanged housing units, Cast iron housing, Radial insert ball bearing with adapter sleeve, With inner ring extended on both sides, massive bearing units



Technical specification

DIMENSIONS, MM

d	25,000
D	62,000
B	38,000
L	108,000
A	31,000
J	83,000
A1	14,000
N	12,000
S	22,000
U	40,000
V	93,700

WEIGHT, KG

	1,050
Bearing	YSA 206-2FK

Housing

FYJ 506

MANUFACTURER

[SKF](#)

INTERCHANGE

ABC

[UKFE206H](#)

SNR

[UKFE206H](#)

CALCULATION DATA

Basic dynamic load rating, C	19,500 kN
Basic static load rating, Co	11,200 kN
Fatigue load limit, Pu	0,475 kN
Limiting speed	6300 r/min