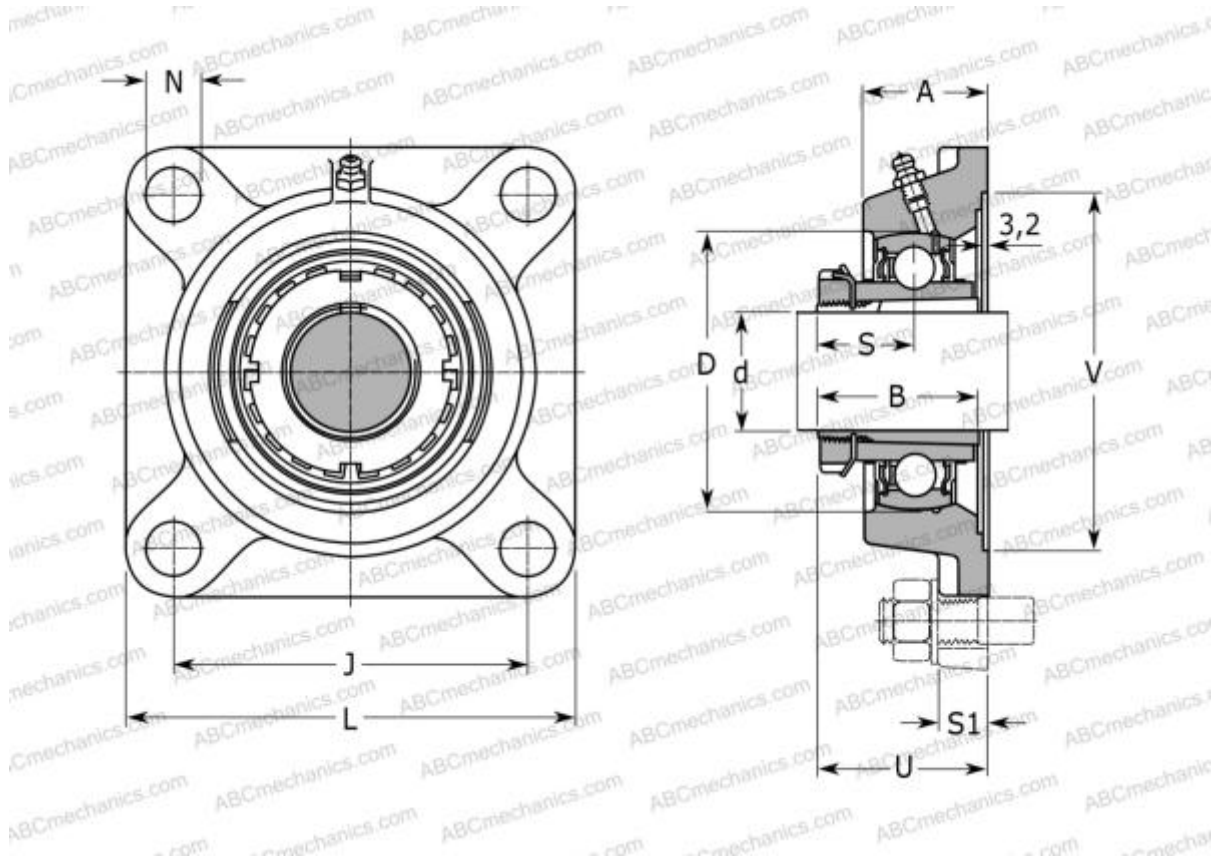


UKFE207H ABC

Ball bearing units

TYPE: Housing units, Four-bolt flanged housing units, Cast iron housing, Radial insert ball bearing with adapter sleeve, With inner ring extended on both sides, massive bearing units



Technical specification

DIMENSIONS, MM

d	30,000
D	72,000
B	43,000
L	118,000
A	36,000
J	92,000
A1	12,500
A2	21,000
N	14,000
S	22,500
d3	52,000
U	43,500
Q	R1/8"

WEIGHT, KG 1,600

Bearing	UK207 +
Housing	FE207
Adapter sleeve	H2307

MANUFACTURER

[ABC](#)

INTERCHANGE

SKF	FYJ 35 KF
SNR	UKFE207H