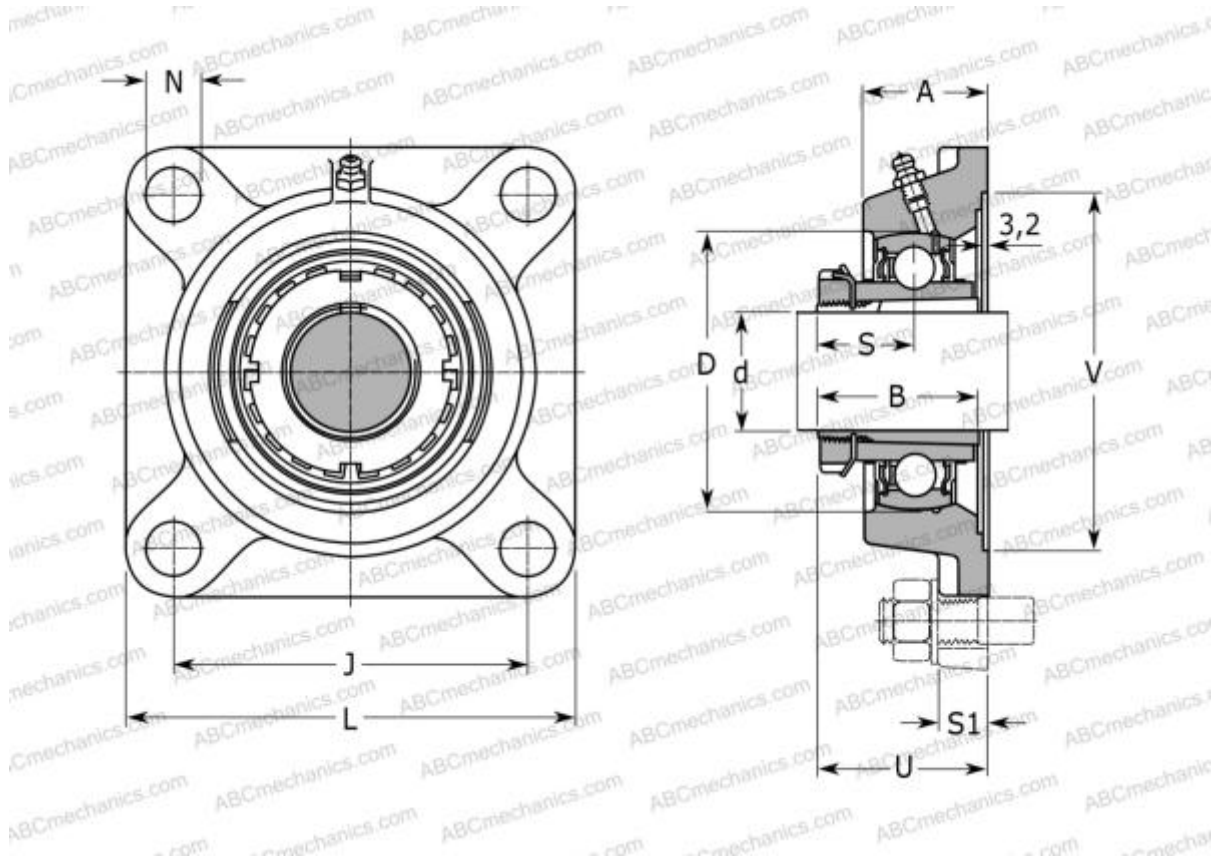


FYJ 35 KF SKF

Ball bearing units

TYPE: Housing units, Four-bolt flanged housing units, Cast iron housing, Radial insert ball bearing with adapter sleeve, With inner ring extended on both sides, massive bearing units



Technical specification

DIMENSIONS, MM

d	30,000
D	72,000
B	43,000
L	118,000
A	34,000
J	92,000
A1	16,000
N	14,000
S	24,300
U	43,300
V	106,400

WEIGHT, KG

Bearing	YSA 207-2FK
---------	-------------

Housing

FYJ 507

MANUFACTURER

[SKF](#)

INTERCHANGE

ABC

[UKFE207H](#)

SNR

[UKFE207H](#)

CALCULATION DATA

Basic dynamic load rating, C	25,500 kN
Basic static load rating, Co	15,300 kN
Fatigue load limit, Pu	0,655 kN
Limiting speed	5300 r/min