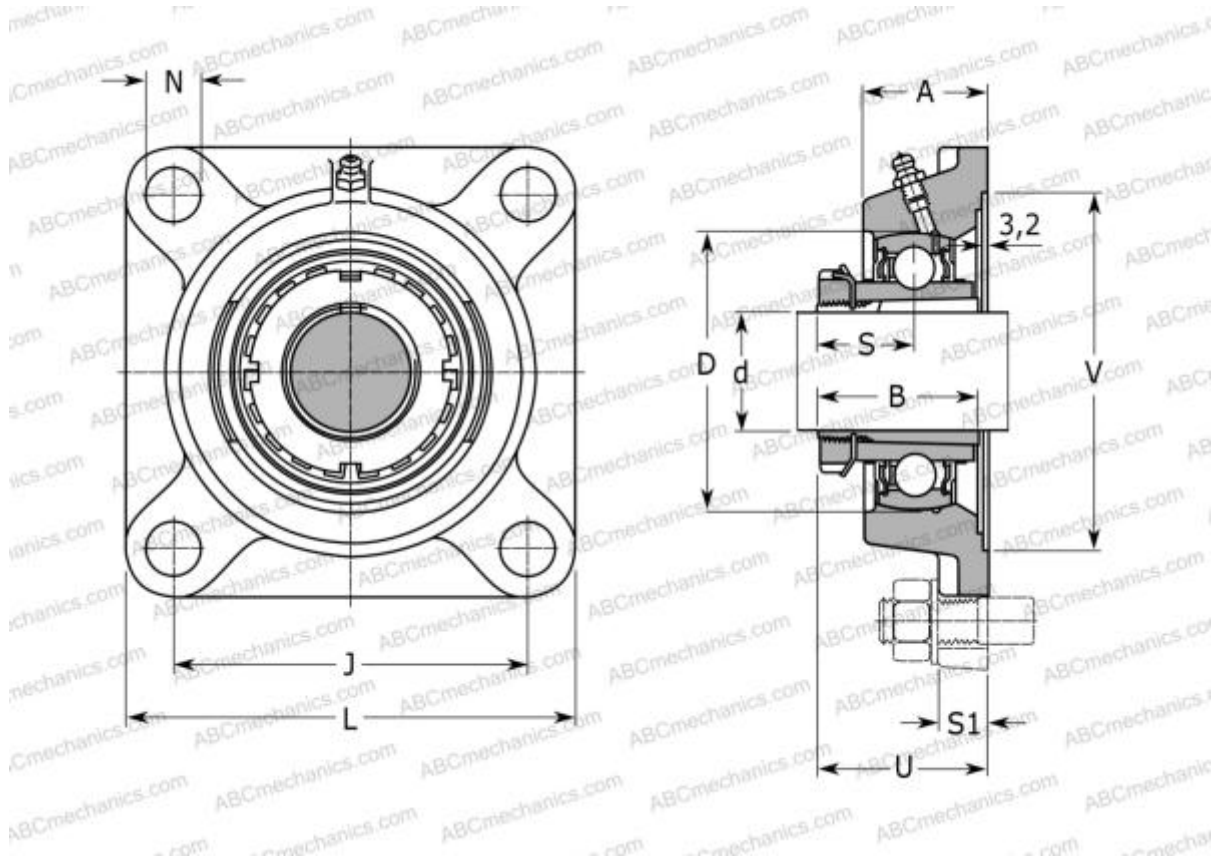


## UKFE208H ABC

Ball bearing units

TYPE: Housing units, Four-bolt flanged housing units, Cast iron housing, Radial insert ball bearing with adapter sleeve, With inner ring extended on both sides, massive bearing units



### Technical specification

#### DIMENSIONS, MM

d	35,000
D	80,000
B	46,000
L	130,000
A	39,500
J	101,500
A1	13,000
A2	24,000
N	14,000
S	24,500
d3	58,000
U	48,500
Q	R1/8"

**WEIGHT, KG** 2,100

Bearing	UK208 +
Housing	FE208
Adapter sleeve	H2308

#### MANUFACTURER

[ABC](#)

#### INTERCHANGE

SKF	<a href="#">FYJ 40 KF</a>
SNR	<a href="#">UKFE208H</a>