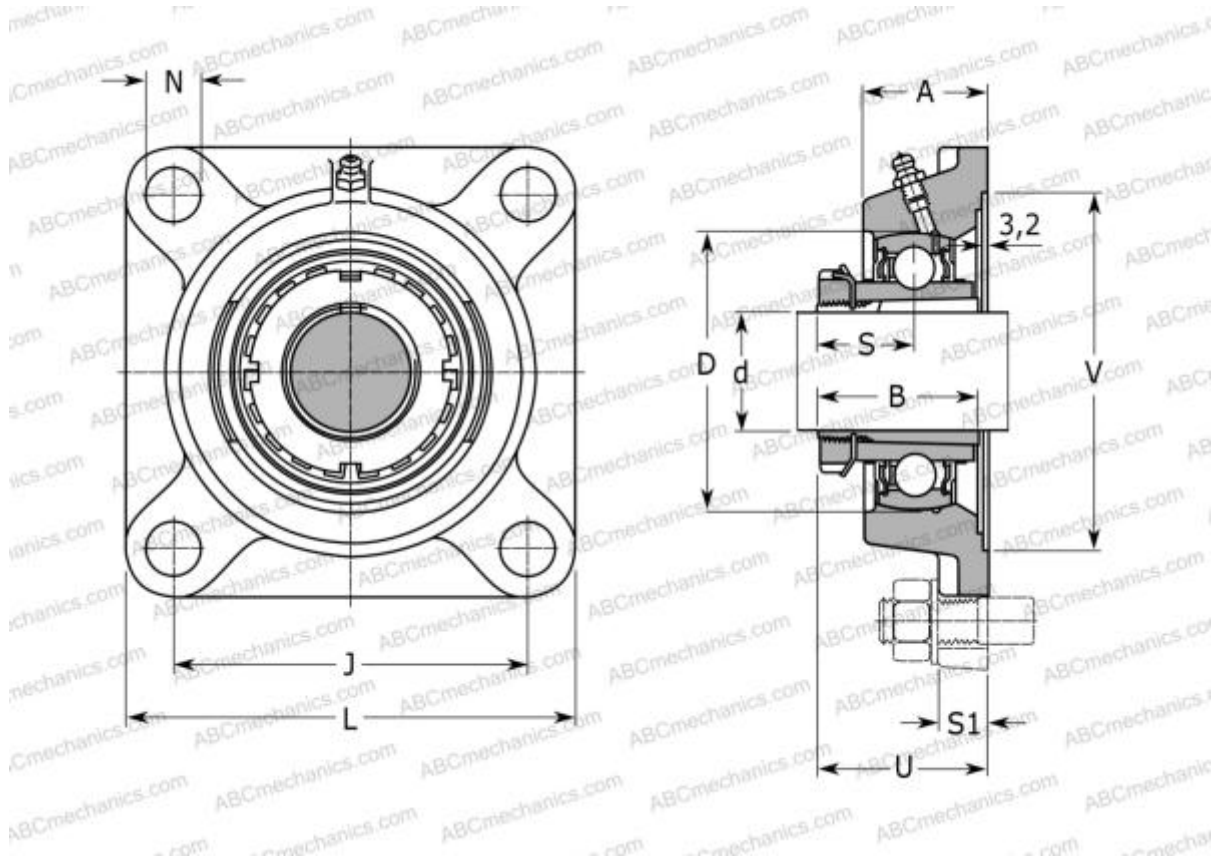


## FYJ 40 KF SKF

Ball bearing units

TYPE: Housing units, Four-bolt flanged housing units, Cast iron housing, Radial insert ball bearing with adapter sleeve, With inner ring extended on both sides, massive bearing units



### Technical specification

#### DIMENSIONS, MM

d	35,000
D	80,000
B	46,000
L	130,000
A	36,000
J	102,000
A1	16,000
N	16,000
S	27,000
U	48,000
V	115,900

**WEIGHT, KG** 1,750

Bearing YSA 208-2FK

Housing FYJ 508

#### MANUFACTURER

[SKF](#)

#### INTERCHANGE

ABC	<a href="#">UKFE208H</a>
SNR	<a href="#">UKFE208H</a>

#### CALCULATION DATA

Basic dynamic load rating, C	30,700 kN
Basic static load rating, Co	19,000 kN
Fatigue load limit, Pu	0,800 kN
Limiting speed	4800 r/min