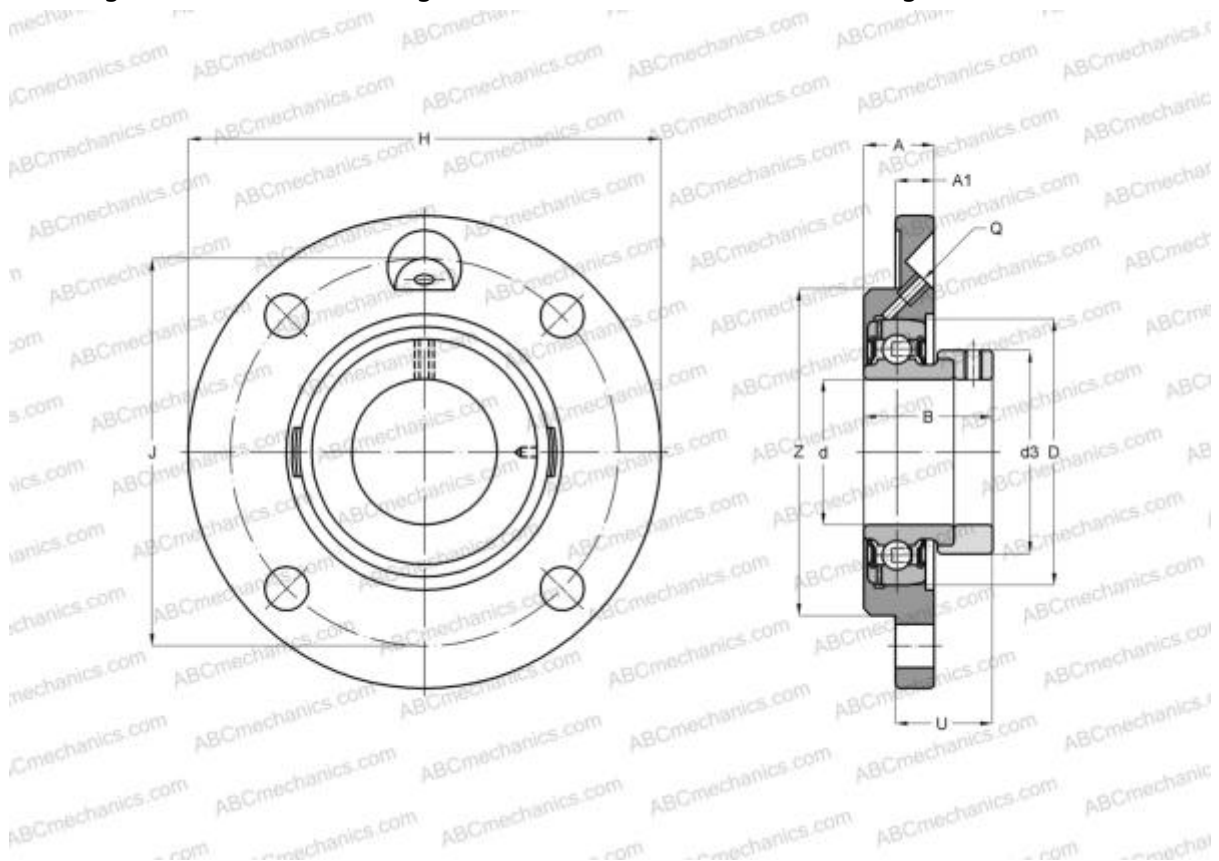


ESFCE202 ABC

Ball bearing units

TYPE: Housing units, Four-bolt flanged housing units, Cast iron housing, Radial insert ball bearing with eccentric locking collar, With inner ring extended at one side, round flanged



Technical specification

DIMENSIONS, MM

d	15,000
D	40,000
B	28,600
H	100,000
A	18,000
J	78,000
A1	8,000
N	9,000
d3	28,600
U	20,100
Z	62,000
Q	M6x1

WEIGHT, KG 0,500

Bearing	ES202
Housing	FCE203

MANUFACTURER

[ABC](#)

INTERCHANGE

SNR	ESFCE202
-----	--------------------------