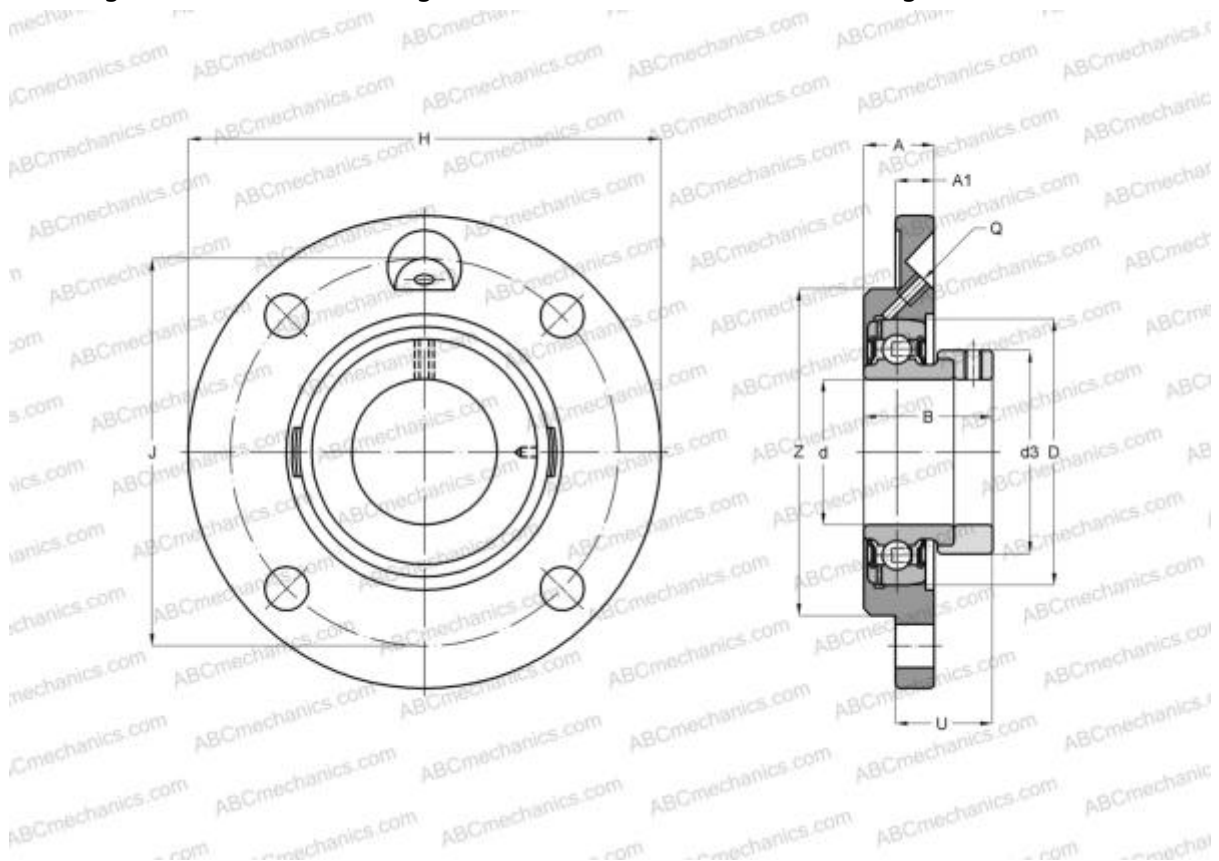


ESFCE203 ABC

Ball bearing units

TYPE: Housing units, Four-bolt flanged housing units, Cast iron housing, Radial insert ball bearing with eccentric locking collar, With inner ring extended at one side, round flanged



Technical specification

DIMENSIONS, MM

| | |
|----|---------|
| d | 17,000 |
| D | 40,000 |
| B | 28,600 |
| H | 100,000 |
| A | 18,000 |
| J | 78,000 |
| A1 | 8,000 |
| N | 9,000 |
| d3 | 28,600 |
| U | 20,100 |
| Z | 62,000 |
| Q | M6x1 |

WEIGHT, KG 0,500

| | |
|---------|--------|
| Bearing | ES203 |
| Housing | FCE203 |

MANUFACTURER [ABC](#)

INTERCHANGE
SNR [ESFCE203](#)