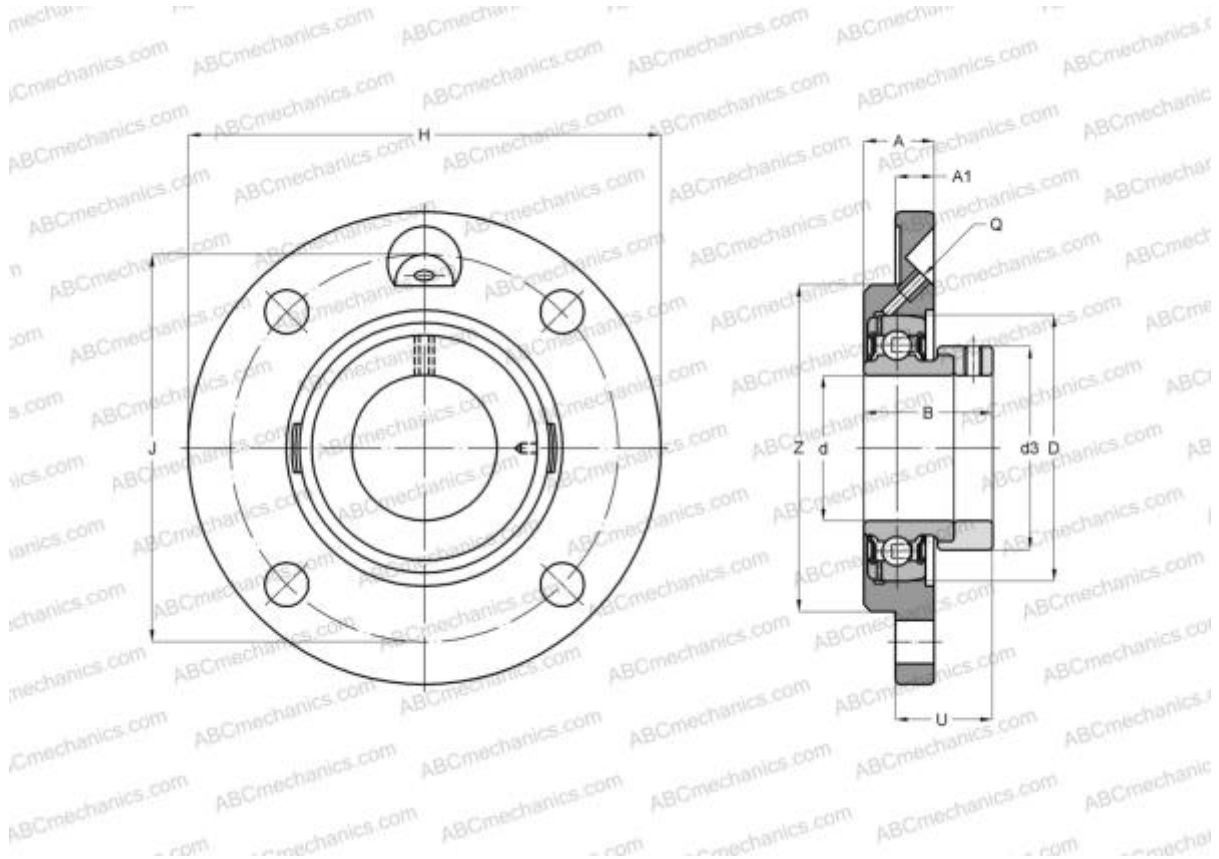


## ESFCE204 ABC

Ball bearing units

TYPE: Housing units, Four-bolt flanged housing units, Cast iron housing, Radial insert ball bearing with eccentric locking collar, With inner ring extended at one side, round flanged



### Technical specification

#### DIMENSIONS, MM

d	20,000
D	47,000
B	30,900
H	100,000
A	18,000
J	78,000
A1	8,000
N	9,000
d3	33,300
U	21,400
Z	62,000
Q	M6x1

**WEIGHT, KG** 0,500

Bearing	ES204
Housing	FCE204

#### MANUFACTURER

[ABC](#)

#### INTERCHANGE

INA	<a href="#">PME20-N</a>
SNR	<a href="#">ESFCE204</a>
SLB	<a href="#">SAFC 204</a>