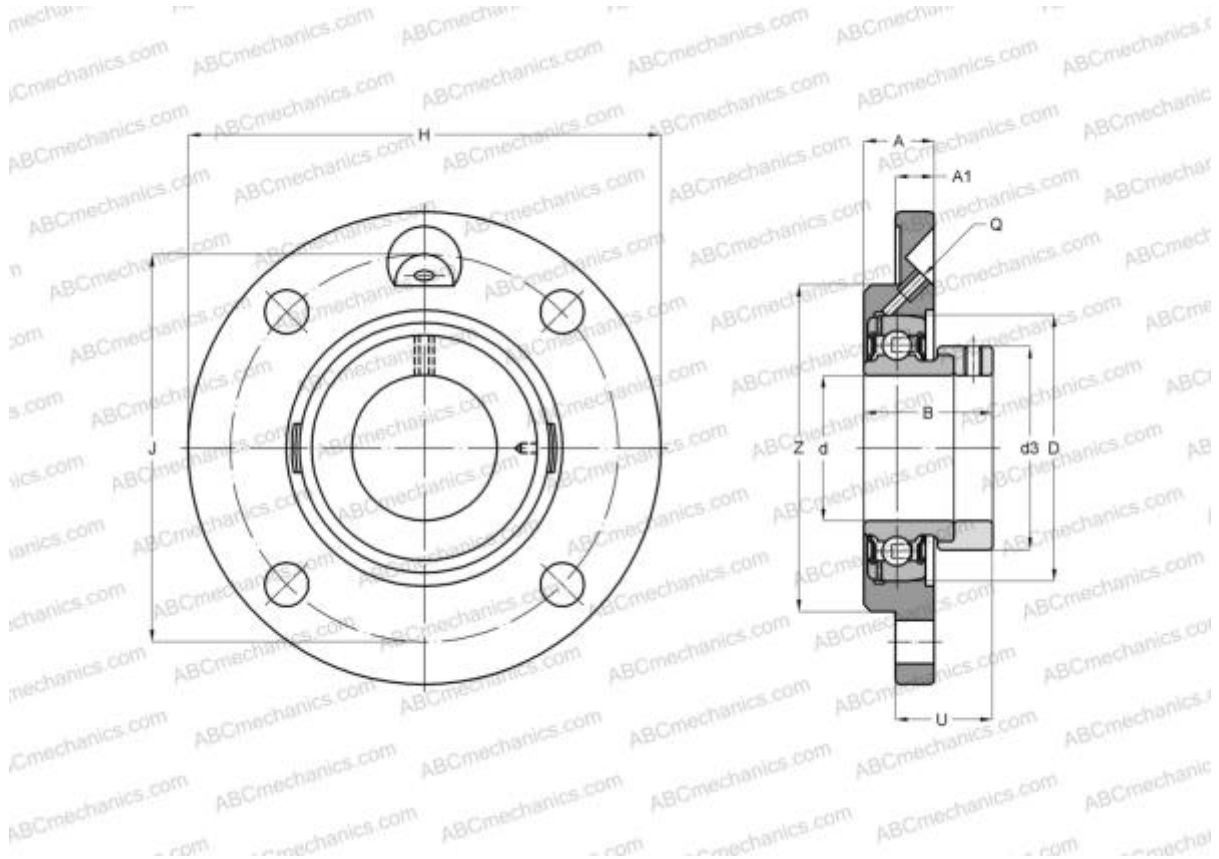


ESFCE207 SNR

Ball bearing units

TYPE: Housing units, Four-bolt flanged housing units, Cast iron housing, Radial insert ball bearing with eccentric locking collar, With inner ring extended at one side, round flanged



Technical specification

DIMENSIONS, MM

d	35,000
D	72,000
B	38,900
H	135,000
A	21,000
J	110,000
A1	10,000
N	11,500
d3	55,600
U	28,400
Z	90,000
Q	M6x1

WEIGHT, KG

1,300

Bearing	ES207
Housing	FCE207

MANUFACTURER

[SNR](#)

INTERCHANGE

ABC	ESFCE207
INA	PME35-N
SLB	SAFC 207

CALCULATION DATA

Basic dynamic load rating, C	25,700 kN
Basic static load rating, Co	15,200 kN
Operating temperature min	-20 °C
Operating temperature max	110 °C