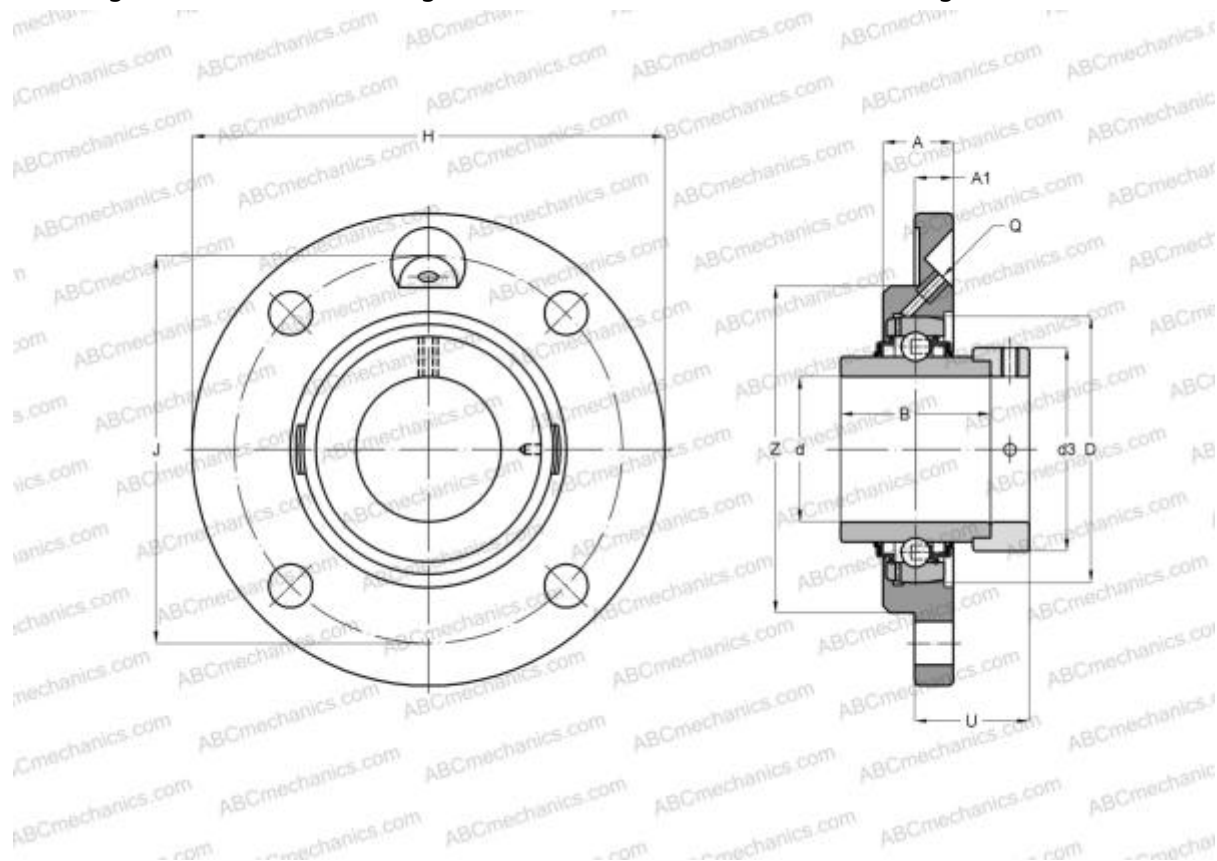


EXFCE201 SNR

Ball bearing units

TYPE: Housing units, Four-bolt flanged housing units, Cast iron housing, Radial insert ball bearing with eccentric locking collar, With inner ring extended on both sides, round flanged



Technical specification

DIMENSIONS, MM

d	12,000
D	47,000
B	43,500
H	100,000
A	18,000
J	78,000
A1	8,000
N	9,000
d3	33,300
U	24,500
Z	62,000
Q	M6x1

WEIGHT, KG 0,700

Bearing	EX201
Housing	FCE204

MANUFACTURER [SNR](#)

INTERCHANGE
ABC [EXFCE201](#)

CALCULATION DATA	
Basic dynamic load rating, C	12,800 kN
Basic static load rating, Co	6,650 kN
Operating temperature min	-20 °C
Operating temperature max	110 °C