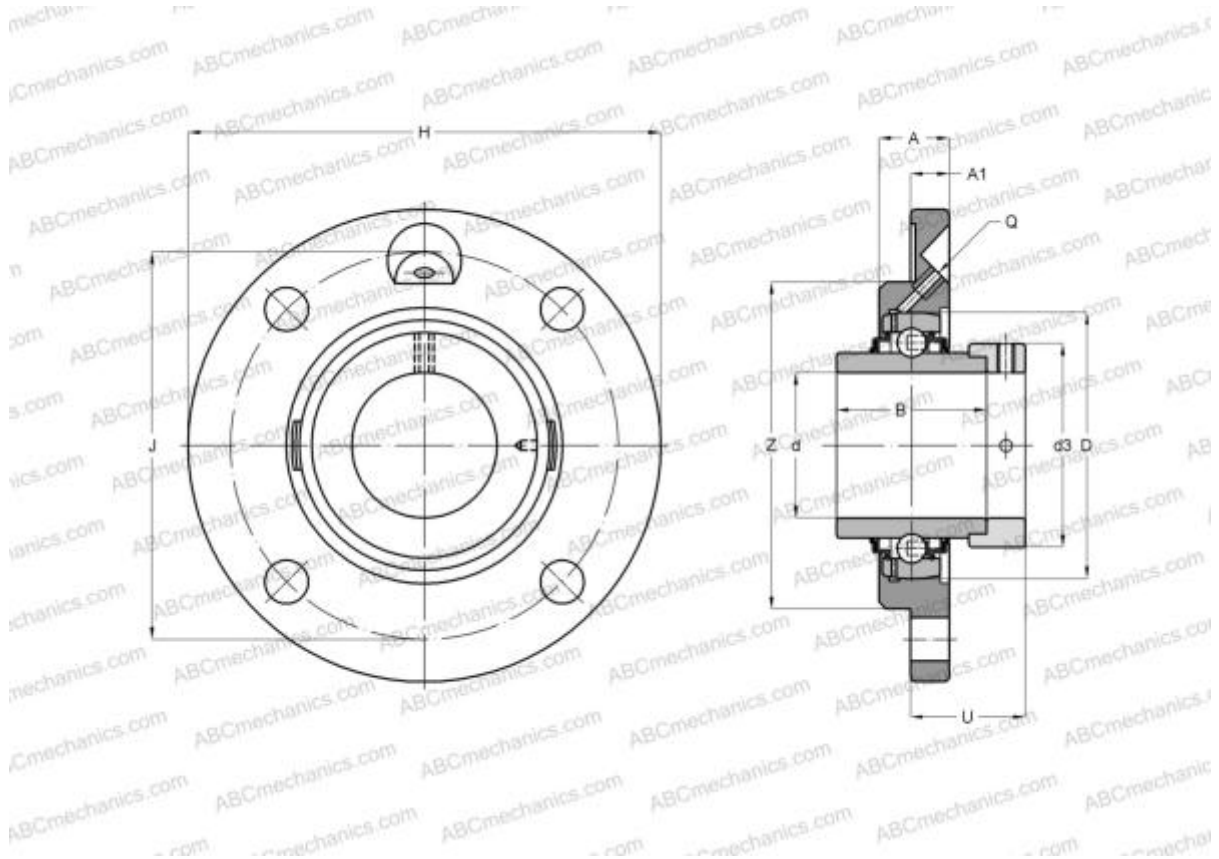


## EXFCE203 ABC

Ball bearing units

TYPE: Housing units, Four-bolt flanged housing units, Cast iron housing, Radial insert ball bearing with eccentric locking collar, With inner ring extended on both sides, round flanged



### Technical specification

#### DIMENSIONS, MM

d	17,000
D	47,000
B	43,500
H	100,000
A	18,000
J	78,000
A1	8,000
N	9,000
d3	33,300
U	24,500
Z	62,000
Q	M6x1

#### WEIGHT, KG

0,600

Bearing	EX203
Housing	FCE204

#### MANUFACTURER

[ABC](#)

#### INTERCHANGE

SNR	<a href="#">EXFCE203</a>
-----	--------------------------