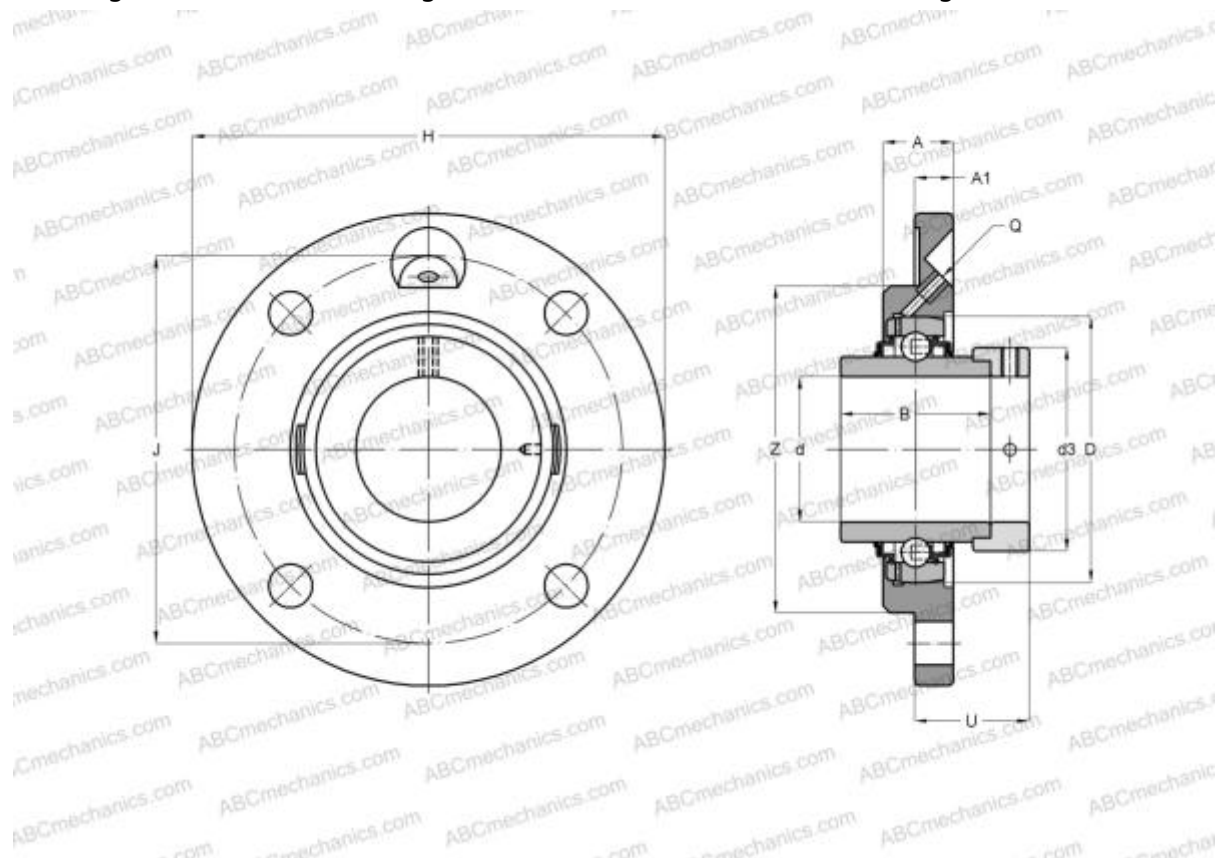


## EXFCE204 SNR

Ball bearing units

TYPE: Housing units, Four-bolt flanged housing units, Cast iron housing, Radial insert ball bearing with eccentric locking collar, With inner ring extended on both sides, round flanged



### Technical specification

#### DIMENSIONS, MM

d	20,000
D	47,000
B	43,500
H	100,000
A	18,000
J	78,000
A1	8,000
N	9,000
d3	33,300
U	24,500
Z	62,000
Q	M6x1

**WEIGHT, KG** 0,600

Bearing	EX204
Housing	FCE204

#### MANUFACTURER

[SNR](#)

#### INTERCHANGE

ABC	<a href="#">EXFCE204</a>
INA	<a href="#">RME20-N</a>

#### CALCULATION DATA

Basic dynamic load rating, C	12,800 kN
Basic static load rating, Co	6,650 kN
Operating temperature min	-20 °C
Operating temperature max	110 °C