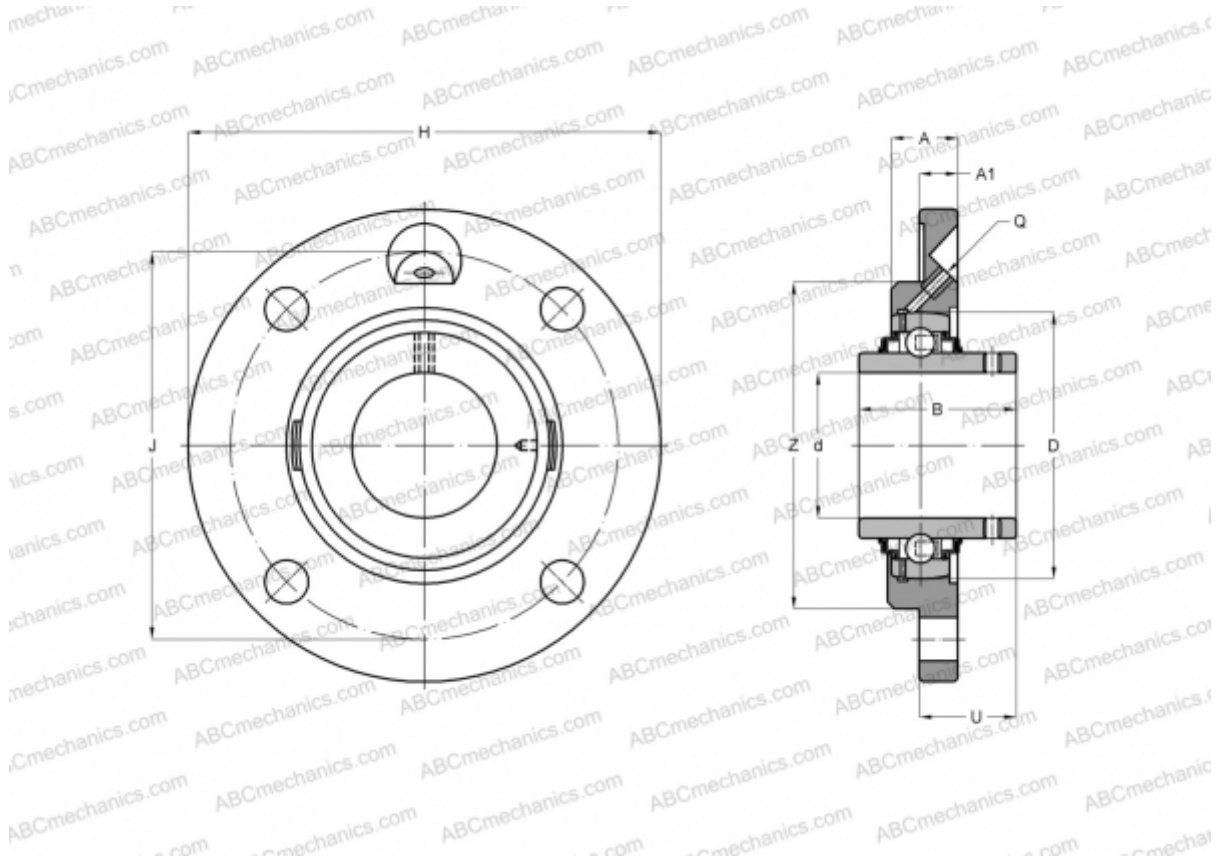


USFCE203 SNR

Ball bearing units

TYPE: Housing units, Four-bolt flanged housing units, Cast iron housing, Radial insert ball bearing with grub screws in inner ring, With inner ring extended at one side, round flanged



Technical specification

DIMENSIONS, MM

| | |
|----|---------|
| d | 17,000 |
| D | 40,000 |
| B | 22,000 |
| H | 100,000 |
| A | 18,000 |
| J | 78,000 |
| A1 | 8,000 |
| N | 9,000 |
| U | 14,000 |
| Z | 62,000 |
| Q | M6x1 |

WEIGHT, KG 0,500

Bearing US203

Housing FCE203

MANUFACTURER [SNR](#)

INTERCHANGE

ABC [USFCE203](#)

CALCULATION DATA

| | |
|------------------------------|----------|
| Basic dynamic load rating, C | 9,550 kN |
| Basic static load rating, Co | 4,780 kN |
| Operating temperature min | -20 °C |
| Operating temperature max | 110 °C |