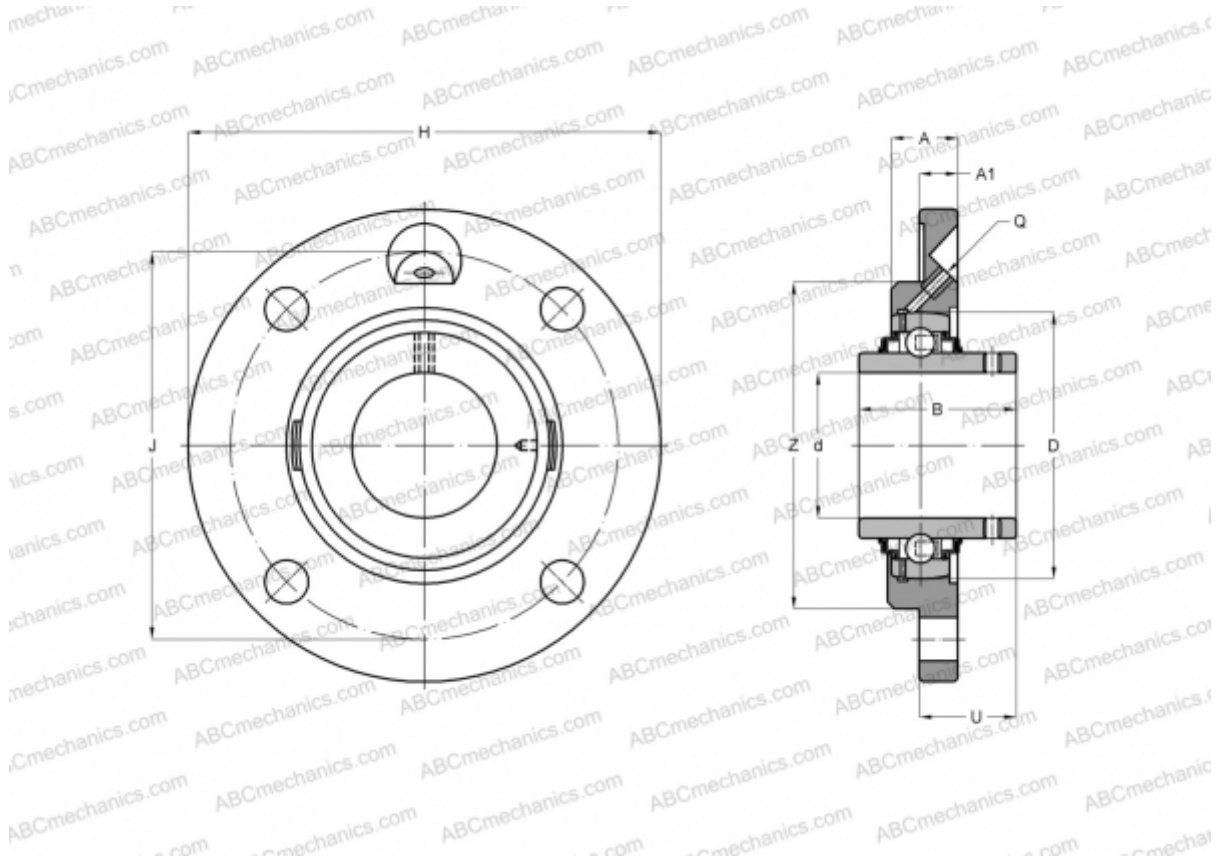


USFCE204 SNR

Ball bearing units

TYPE: Housing units, Four-bolt flanged housing units, Cast iron housing, Radial insert ball bearing with grub screws in inner ring, With inner ring extended at one side, round flanged



Technical specification

DIMENSIONS, MM

d	20,000
D	47,000
B	25,000
H	100,000
A	18,000
J	78,000
A1	8,000
N	9,000
U	16,000
Z	62,000
Q	M6x1

WEIGHT, KG 0,500

Bearing US204

Housing FCE204

MANUFACTURER [SNR](#)

INTERCHANGE

ABC [USFCE204](#)

INA [PMEY20-N](#)

CALCULATION DATA

Basic dynamic load rating, C 12,800 kN

Basic static load rating, Co 6,650 kN

Operating temperature min -20 °C

Operating temperature max 110 °C