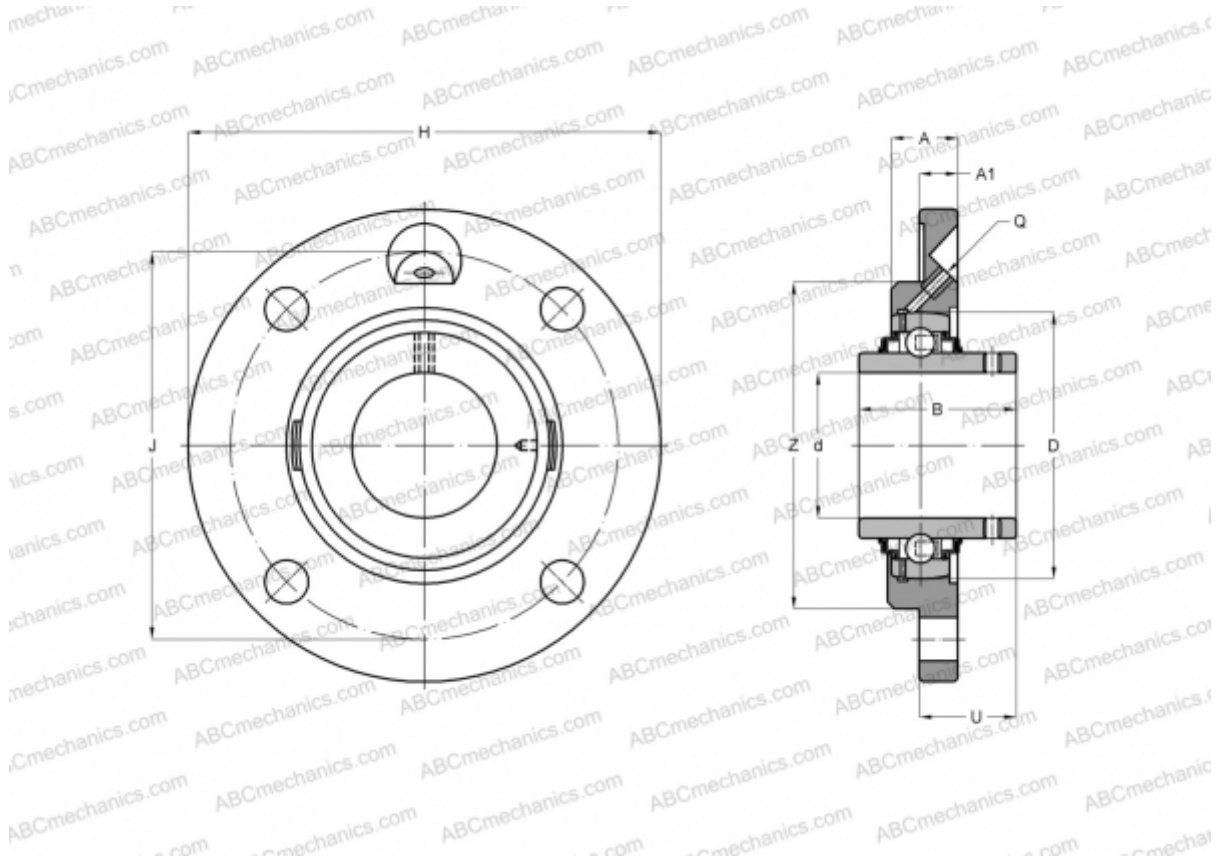


USFCE205 ABC

Ball bearing units

TYPE: Housing units, Four-bolt flanged housing units, Cast iron housing, Radial insert ball bearing with grub screws in inner ring, With inner ring extended at one side, round flanged



Technical specification

DIMENSIONS, MM

d	25,000
D	52,000
B	27,000
H	115,000
A	20,000
J	90,000
A1	9,000
N	9,000
U	17,000
Z	70,000
Q	M6x1

WEIGHT, KG

Bearing	US205
Housing	FCE205

Housing

FCE205

MANUFACTURER

[ABC](#)

INTERCHANGE

INA

[PMEY25-N](#)

SNR

[USFCE205](#)