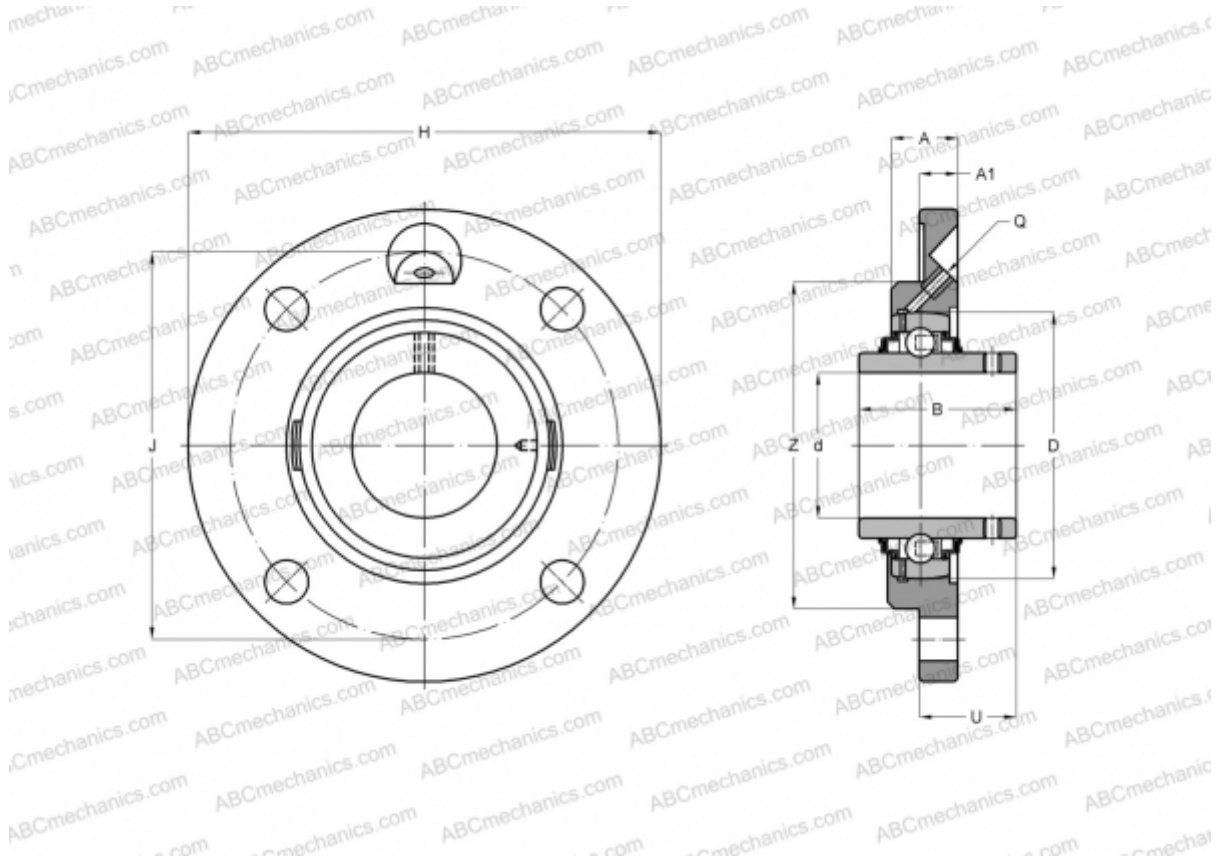


PMEY25-N INA

Ball bearing units

TYPE: Housing units, Four-bolt flanged housing units, Cast iron housing, Radial insert ball bearing with grub screws in inner ring, With inner ring extended at one side, round flanged



Technical specification

DIMENSIONS, MM

| | |
|----|---------|
| d | 25,000 |
| D | 52,000 |
| B | 27,000 |
| H | 115,000 |
| A | 19,000 |
| J | 90,000 |
| A1 | 9,000 |
| N | 9,000 |
| U | 17,000 |
| Z | 70,000 |
| Q | M6 |

WEIGHT, KG 0,700

Bearing GAY25-NPP-B

| | |
|------------------|-----------|
| Housing | GG.ME05-N |
| Protective cover | KASK05 |

MANUFACTURER

[INA](#)

INTERCHANGE

| | |
|-----|--------------------------|
| ABC | USFCE205 |
| SNR | USFCE205 |

CALCULATION DATA

| | |
|------------------------------|-----------|
| Basic dynamic load rating, C | 14,000 kN |
| Basic static load rating, Co | 7,800 kN |