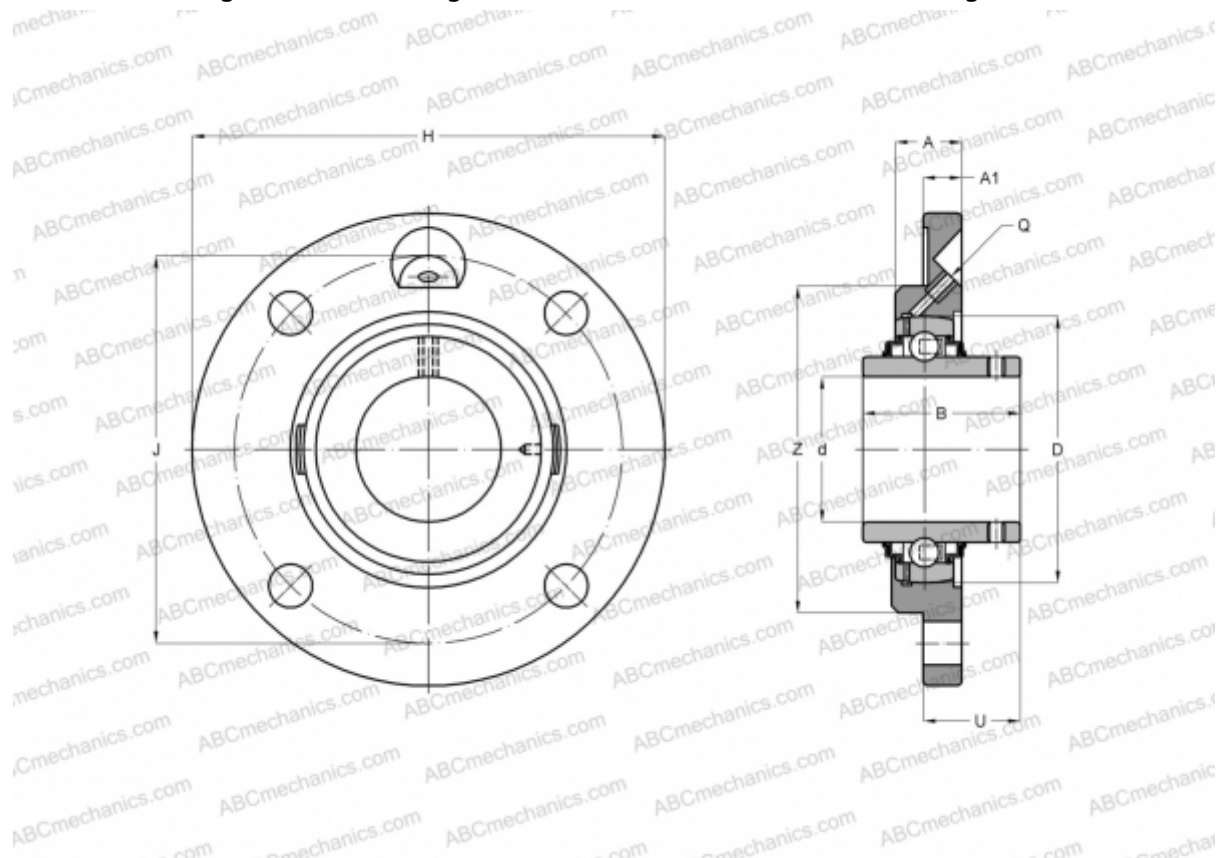


UCFCE204 ABC

Ball bearing units

TYPE: Housing units, Four-bolt flanged housing units, Cast iron housing, Radial insert ball bearing with grub screws in inner ring, With inner ring extended on both sides, round flanged



Technical specification

DIMENSIONS, MM

d	20,000
D	47,000
B	31,000
H	100,000
A	18,000
J	78,000
A1	8,000
N	9,000
U	16,300
Z	62,000
Q	M6x1

WEIGHT, KG 0,500

Bearing UC204

Housing FCE204

MANUFACTURER [ABC](#)

INTERCHANGE

INA [RMEY20-N](#)

SNR [UCFCE204](#)