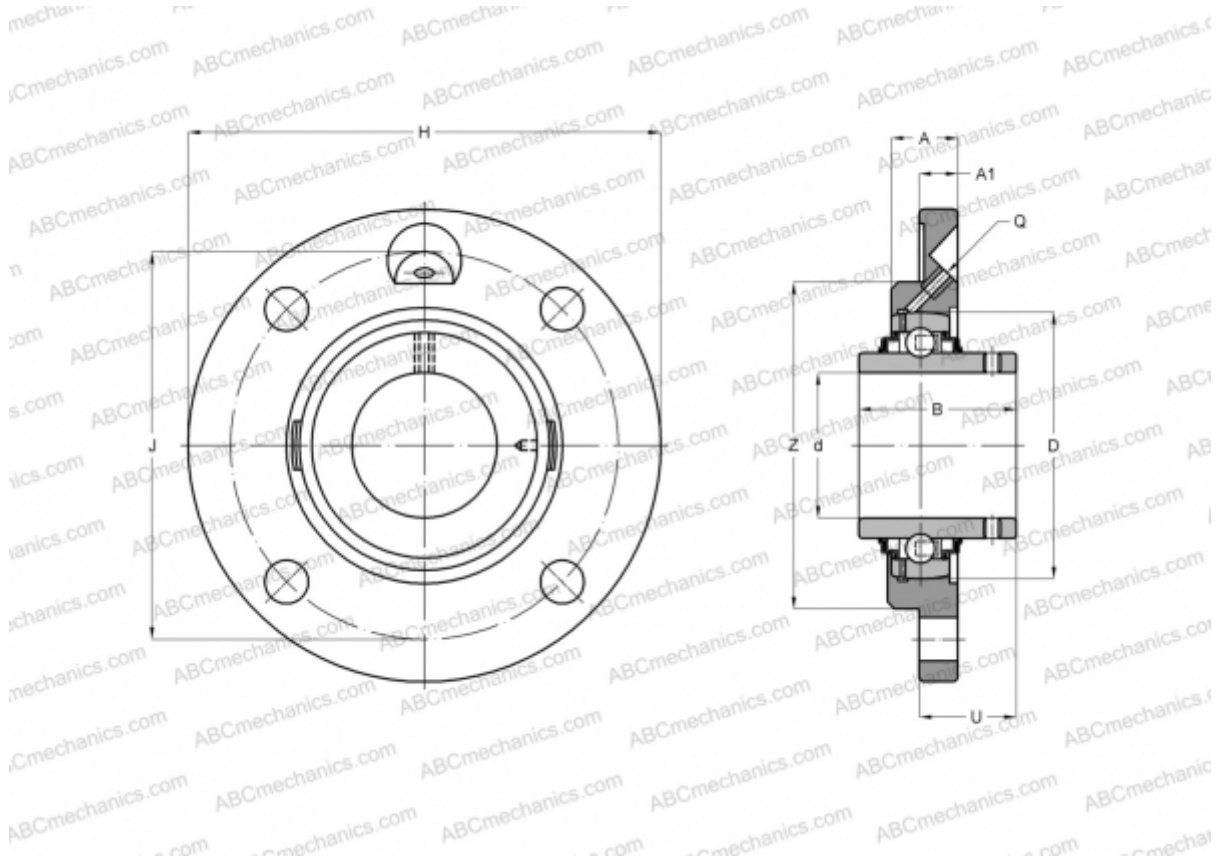


UCFCE214 ABC

Ball bearing units

TYPE: Housing units, Four-bolt flanged housing units, Cast iron housing, Radial insert ball bearing with grub screws in inner ring, With inner ring extended on both sides, round flanged



Technical specification

DIMENSIONS, MM

d	70,000
D	125,000
B	74,600
H	215,000
A	33,000
J	177,000
A1	18,000
N	18,000
U	44,400
Z	150,000
Q	R1/8"

WEIGHT	5,100
Bearing	UC214

Housing FCE214

MANUFACTURER [ABC](#)

INTERCHANGE

INA	RMEY70
SNR	UCFCE214