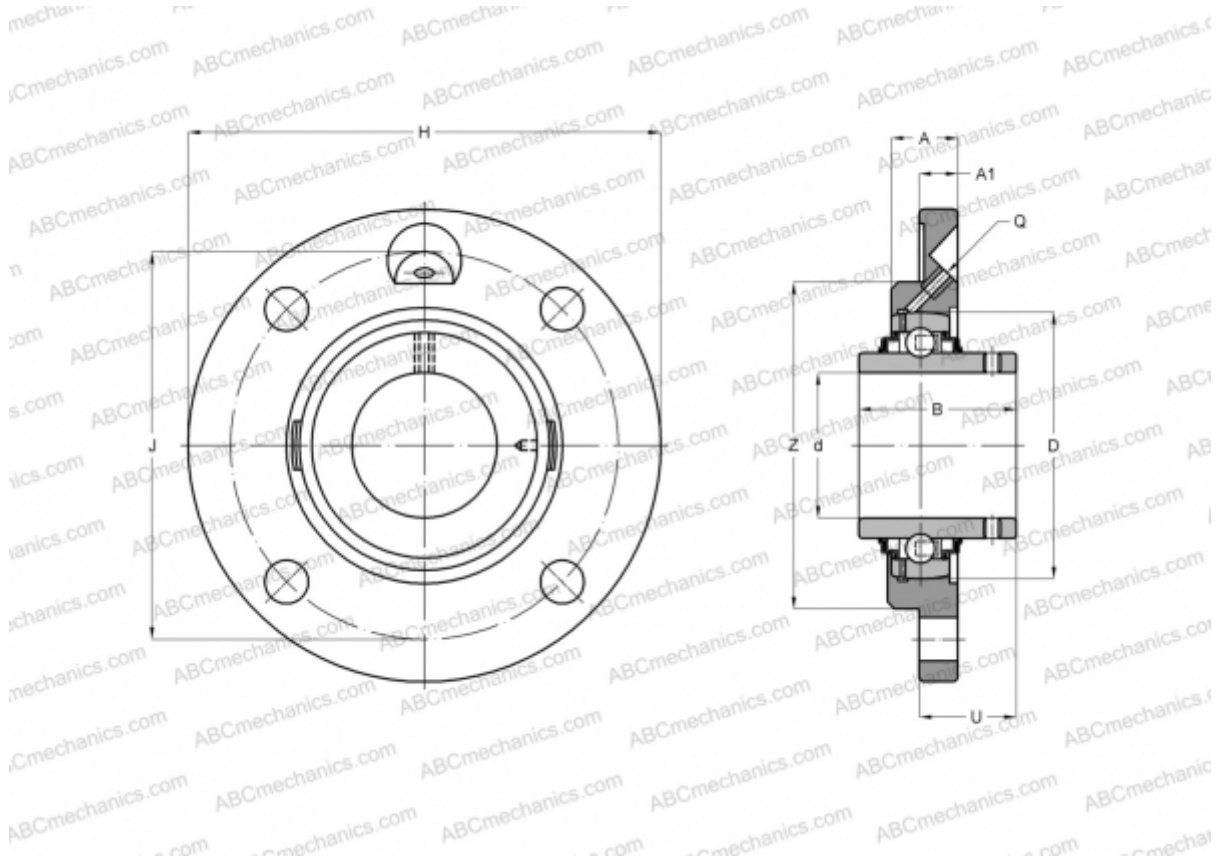


RMEY70 INA

Ball bearing units

TYPE: Housing units, Four-bolt flanged housing units, Cast iron housing, Radial insert ball bearing with grub screws in inner ring, With inner ring extended on both sides, round flanged



Technical specification

DIMENSIONS, MM

d	70,000
D	125,000
B	74,600
H	215,000
A	32,000
J	177,000
A1	18,000
N	18,000
U	44,400
Z	150,000
Q	Rp1/8

WEIGHT 5,290

Bearing GYE70-KRR-B

Housing GG.ME14

MANUFACTURER

[INA](#)

INTERCHANGE

ABC [UCFCE214](#)

SNR [UCFCE214](#)

CALCULATION DATA

Basic dynamic load rating, C 62,000 kN

Basic static load rating, Co 44,000 kN