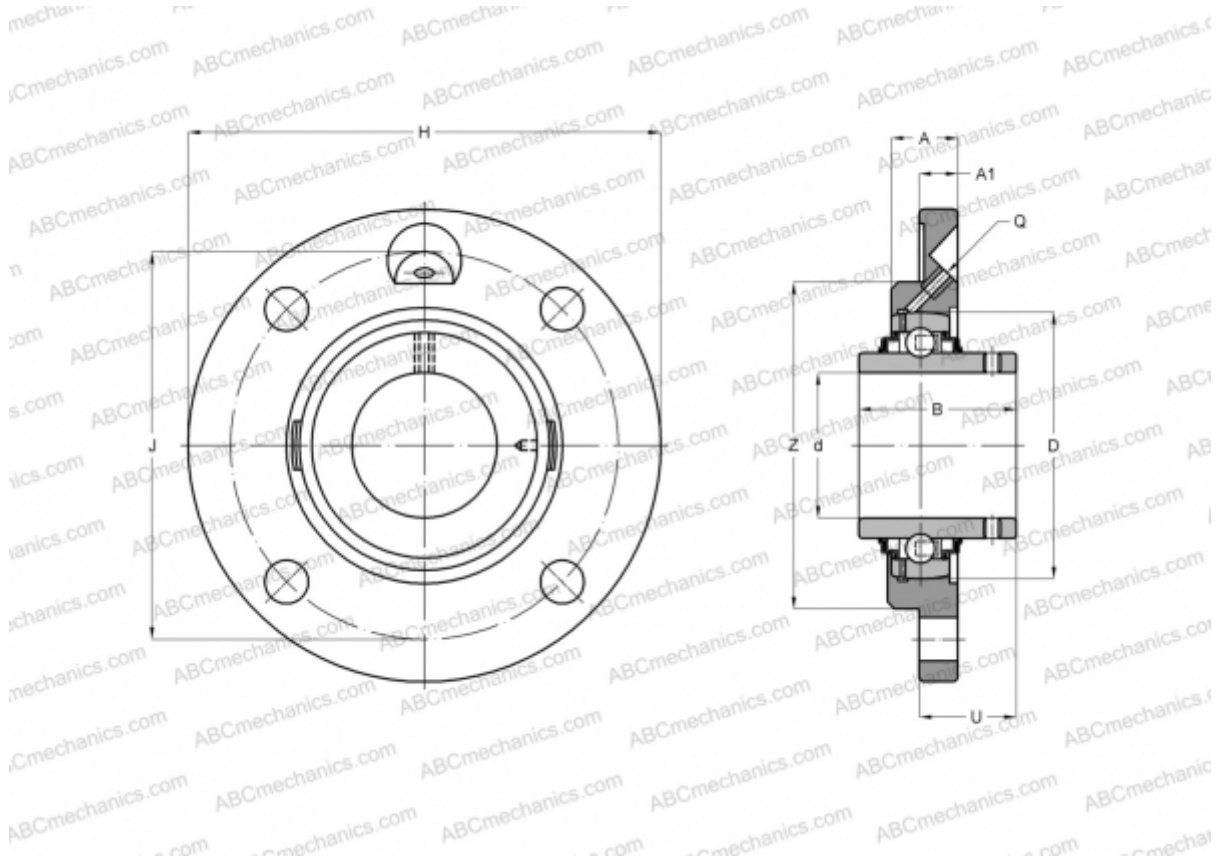


UCFCE214 SNR

Ball bearing units

TYPE: Housing units, Four-bolt flanged housing units, Cast iron housing, Radial insert ball bearing with grub screws in inner ring, With inner ring extended on both sides, round flanged



Technical specification

DIMENSIONS, MM

d	70,000
D	125,000
B	74,600
H	215,000
A	33,000
J	177,000
A1	18,000
N	18,000
U	44,400
Z	150,000
Q	R1/8"

WEIGHT 5,100

Bearing UC214

Housing FCE214

MANUFACTURER [SNR](#)

INTERCHANGE

ABC [UCFCE214](#)

INA [RMEY70](#)

CALCULATION DATA

Basic dynamic load rating, C 62,000 kN

Basic static load rating, Co 45,000 kN

Operating temperature min -20 °C

Operating temperature max 110 °C