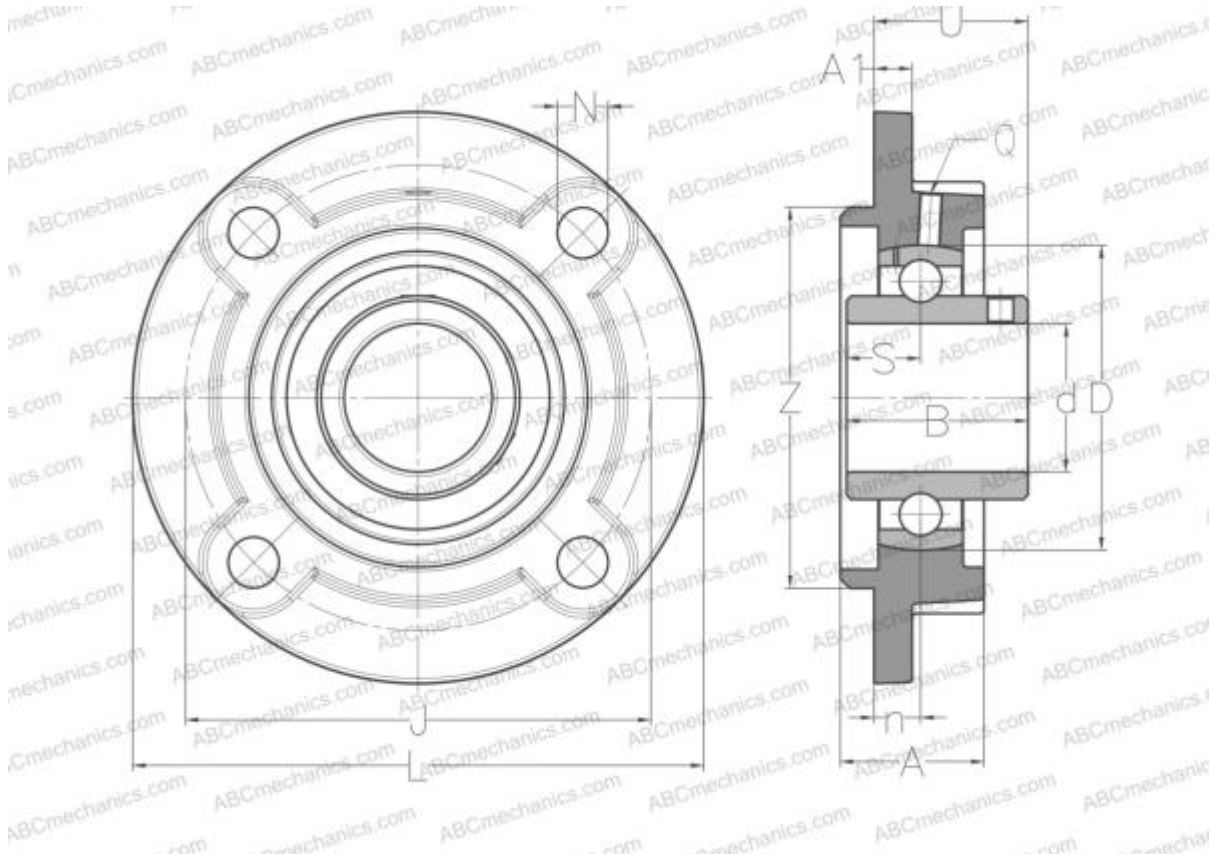


## UCFC201 SNR

Ball bearing units

TYPE: Housing units, Four-bolt flanged housing units, Cast iron housing, Radial insert ball bearing with grub screws in inner ring, With inner ring extended on both sides, with centring rim, round flanged



### Technical specification

#### DIMENSIONS, MM

d	12,000
D	47,000
B	31,000
H	100,000
A	25,500
J	78,000
A1	6,000
N	12,000
S	12,700
U	28,300
Z	62,000
n	10,000
Q	M6x1

**WEIGHT, KG** 0,700

#### CALCULATION DATA

Operating temperature max	110 °C
---------------------------	--------

Bearing	UC201
Housing	FC204

#### MANUFACTURER

[SNR](#)

#### INTERCHANGE

ABC	<a href="#">UCFC201</a>
ASAHI	<a href="#">UCFC 201</a>
SLB	<a href="#">UCFC 201</a>
FYH	<a href="#">UCFC 201</a>
NTN	<a href="#">UCFC 201 D1</a>

#### CALCULATION DATA

Basic dynamic load rating, C	12,800 kN
Basic static load rating, Co	6,650 kN
Operating temperature min	-20 °C