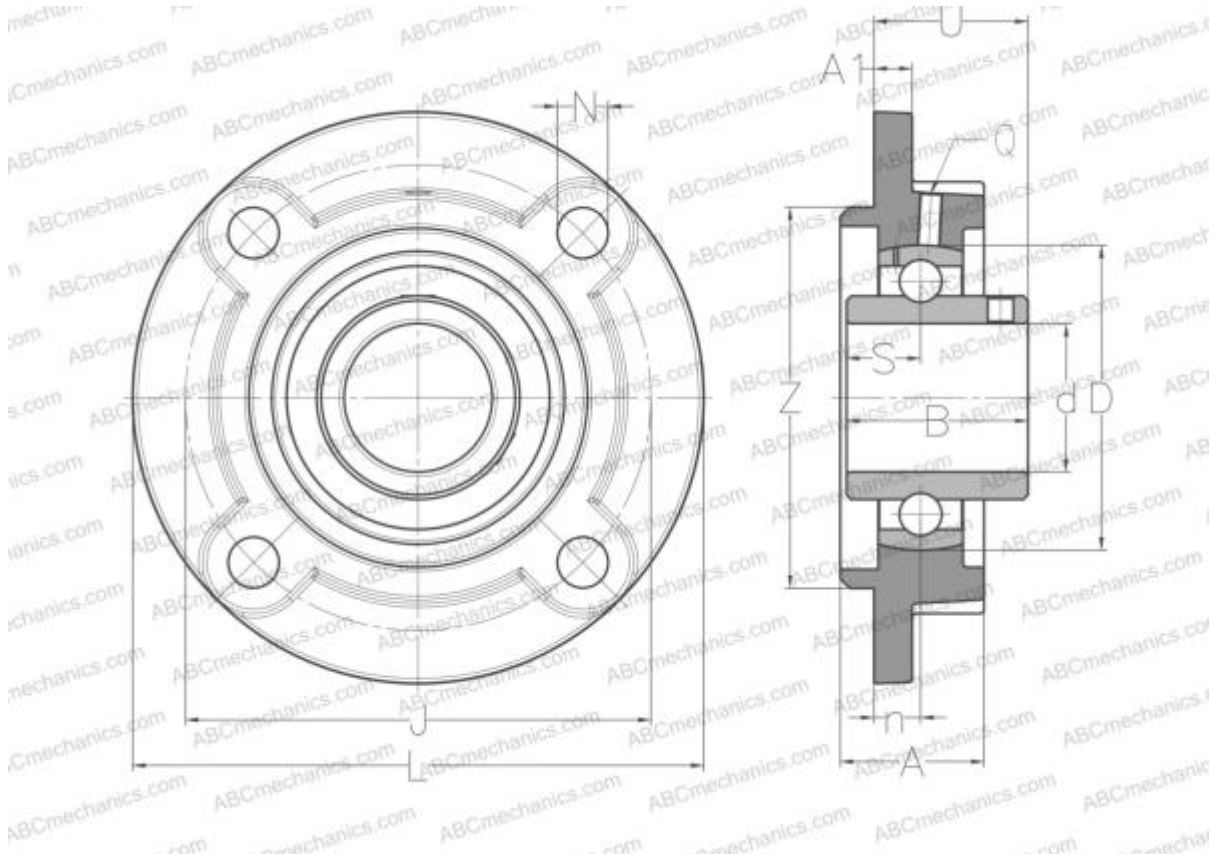


UCFC218 SNR

Ball bearing units

TYPE: Housing units, Four-bolt flanged housing units, Cast iron housing, Radial insert ball bearing with grub screws in inner ring, With inner ring extended on both sides, with centring rim, round flanged



Technical specification

DIMENSIONS, MM

d	90,000
D	160,000
B	96,000
H	265,000
A	68,000
J	220,000
A1	20,000
N	23,000
S	39,700
U	78,300
Z	190,000
n	22,000
Q	M10x1

WEIGHT

13,200

CALCULATION DATA

Operating temperature max	110 °C
---------------------------	--------

Bearing	UC218
Housing	FC218

MANUFACTURER

[SNR](#)

INTERCHANGE

ABC	UCFC218
ASAHI	UCFC 218
SLB	UCFC 218
FYH	UCFC 218
NTN	UCFC 218 D1

CALCULATION DATA

Basic dynamic load rating, C	96,000 kN
Basic static load rating, Co	71,500 kN
Operating temperature min	-20 °C