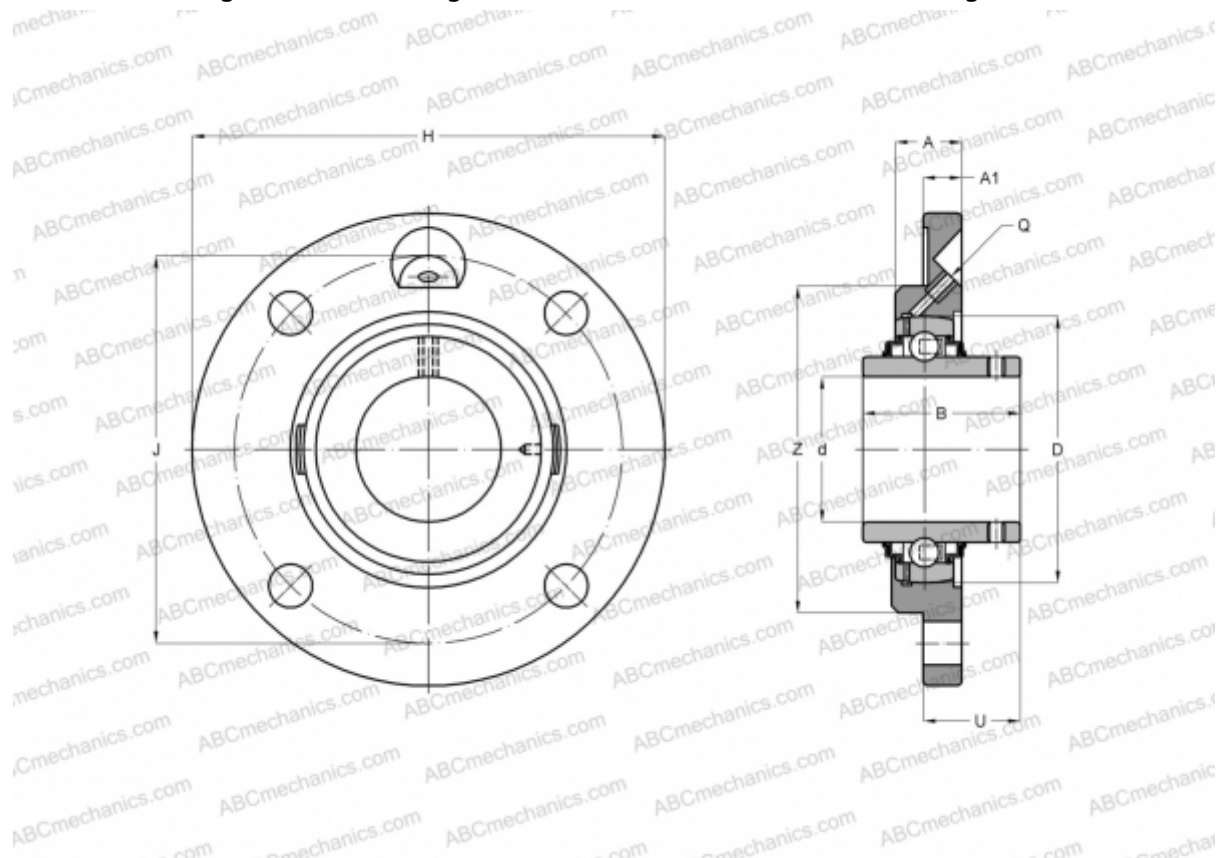


UKFCE205H SNR

Ball bearing units

TYPE: Housing units, Four-bolt flanged housing units, Cast iron housing, Radial insert ball bearing with grub screws in inner ring, With inner ring extended on both sides, round flanged



Technical specification

DIMENSIONS, MM

d	20,000
D	52,000
B	35,000
H	115,000
A	20,000
J	90,000
A1	9,000
N	9,000
S	18,500
d3	38,000
U	21,000
Z	70,000
Q	M6x1

Bearing	UK205 +
Housing	FCE205
Adapter sleeve	H2305

MANUFACTURER

[SNR](#)

INTERCHANGE

ABC	UKFCE205H
-----	---------------------------

WEIGHT, KG 0,800