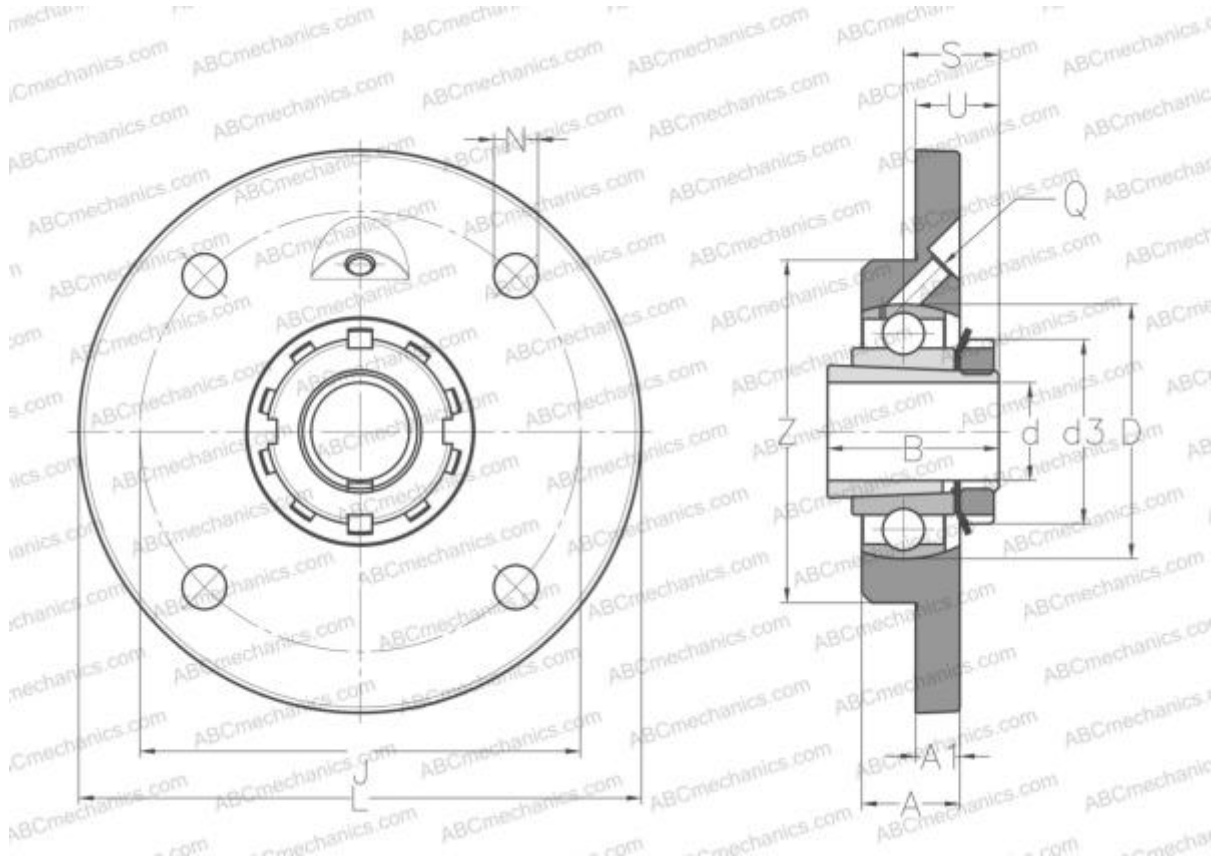


## UKFCE206H SNR

Ball bearing units

TYPE: Housing units, Four-bolt flanged housing units, Cast iron housing, Radial insert ball bearing with adapter sleeve, With inner ring extended on both sides, round flanged



### Technical specification

#### DIMENSIONS, MM

d	25,000
D	62,000
B	38,000
H	125,000
A	21,000
J	100,000
A1	9,500
N	11,500
S	20,500
d3	45,000
U	22,500
Z	80,000
Q	M6x1

**WEIGHT, KG** 1,000

Bearing	UK206 +
Housing	FCE206
Adapter sleeve	H2306

#### MANUFACTURER

[SNR](#)

#### INTERCHANGE

ABC [UKFCE206H](#)

#### CALCULATION DATA

Basic dynamic load rating, C	19,500 kN
Basic static load rating, Co	11,200 kN
Operating temperature min	-20 °C
Operating temperature max	110 °C